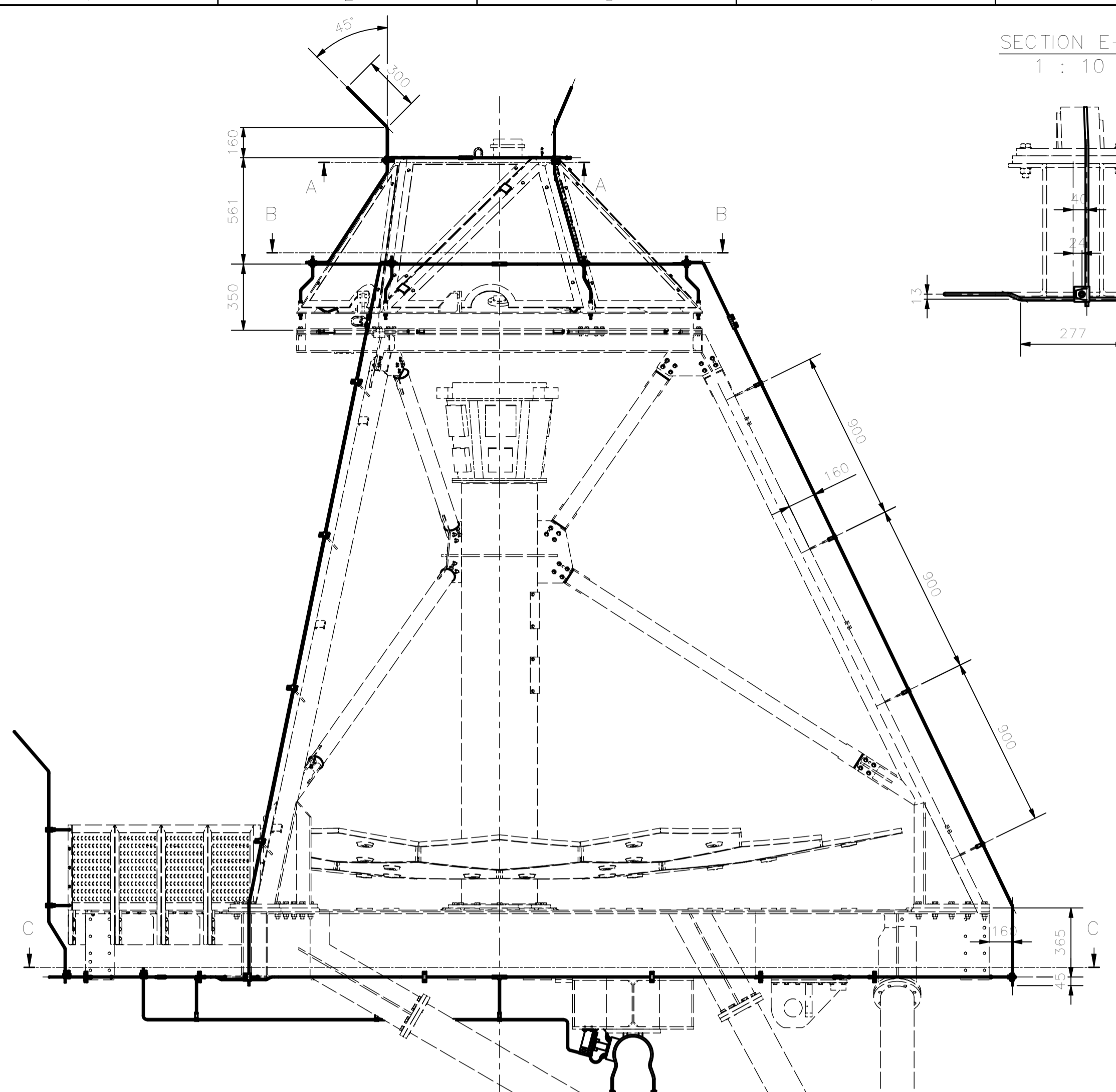
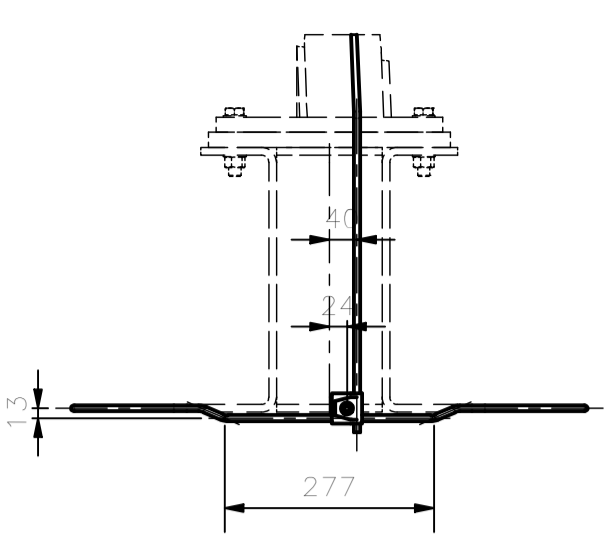


|    |                     |                              |    |                                     |          |
|----|---------------------|------------------------------|----|-------------------------------------|----------|
| 29 | ISO 4017 - M10 x 20 | Hexagon head screws          | 2  | Cl 8,8 Galv.                        | 0,023 kg |
| 28 | ISO 7089 - 10       | Plain washers                | 6  | 200 HV Galv.                        | 0,004 kg |
| 27 | ISO 4017 - M10 x 30 | Hexagon head screws          | 4  | Cl 8,8 Galv.                        | 0,029 kg |
| 26 | ISO 4032 - M8       | Hexagon nuts                 | 98 | Cl 8 Galv.                          | 0,006 kg |
| 25 | ISO 7089 - 8        | Plain washers                | 46 | 200 HV Galv.                        | 0,002 kg |
| 24 | Clamp 345 008       | Compression clamp DEHN       | 2  | Galvanized Steel                    | 0,025 kg |
| 23 | 16R DIN-K-M8        | Clamp ORB                    | 34 | Galvanized Steel                    | 0,078 kg |
| 22 | Clamp 390 550 mir   | 90° Clamp DEHN (Rotate)      | 11 | Galvanized Steel                    | 0,115 kg |
| 21 | Clamp 390 550       | 90° Clamp DEHN               | 5  | Galvanized Steel                    | 0,115 kg |
| 20 | Clamp 385 202       | Junction Clamp DEHN          | 14 | Galvanized Steel                    | 0,084 kg |
| 19 | M8x210 DIN 975      | Threaded Bar                 | 6  | Cl 4,6 Galv.                        | 0,083 kg |
| 18 | M8x130 DIN 975      | Threaded Bar                 | 4  | Cl 4,6 Galv.                        | 0,051 kg |
| 17 | M8x150 DIN 975      | Threaded Bar                 | 12 | Cl 4,6 Galv.                        | 0,059 kg |
| 16 | M8x140 DIN 975      | Threaded Bar                 | 3  | Cl 4,6 Galv.                        | 0,055 kg |
| 15 | M8x65 DIN 975       | Threaded Bar                 | 3  | Cl 4,6 Galv.                        | 0,028 kg |
| 14 | 7634-200-14-00      | LPS M2 Support 1             | 6  | Construction steel S235J2G3 EN10027 | 0,140 kg |
| 13 | 7634-200-13-00      | Steel Conductor DEHN 800 008 | 2  | Galvanized Steel                    | 1,514 kg |
| 12 | 7634-200-12-00      | Steel Conductor DEHN 800 008 | 1  | Galvanized Steel                    | 1,515 kg |
| 11 | 7634-200-11-00      | Steel Conductor DEHN 800 008 | 2  | Galvanized Steel                    | 1,096 kg |
| 10 | 7634-200-10-00      | Steel Conductor DEHN 800 008 | 2  | Galvanized Steel                    | 0,570 kg |
| 9  | 7634-200-09-00      | Steel Conductor DEHN 800 008 | 1  | Galvanized Steel                    | 0,938 kg |
| 8  | 7634-200-08-00      | Steel Conductor DEHN 800 008 | 2  | Galvanized Steel                    | 0,987 kg |
| 7  | 7634-200-07-00      | Steel Conductor DEHN 800 008 | 3  | Galvanized Steel                    | 1,167 kg |
| 6  | 7634-200-06-00      | Steel Conductor DEHN 800 008 | 2  | Galvanized Steel                    | 0,194 kg |
| 5  | 7634-200-05-00      | Steel Conductor DEHN 800 008 | 1  | Galvanized Steel                    | 0,180 kg |
| 4  | 7634-200-04-00      | Steel Conductor DEHN 800 008 | 2  | Galvanized Steel                    | 1,239 kg |
| 3  | 7634-200-03-00      | Steel Conductor DEHN 800 008 | 3  | Galvanized Steel                    | 0,433 kg |
| 2  | 7634-200-02-00      | Steel Conductor DEHN 800 008 | 2  | Galvanized Steel                    | 0,481 kg |
| 1  | 7634-200-01-00      | Steel Conductor DEHN 800 008 | 1  | Galvanized Steel                    | 0,481 kg |

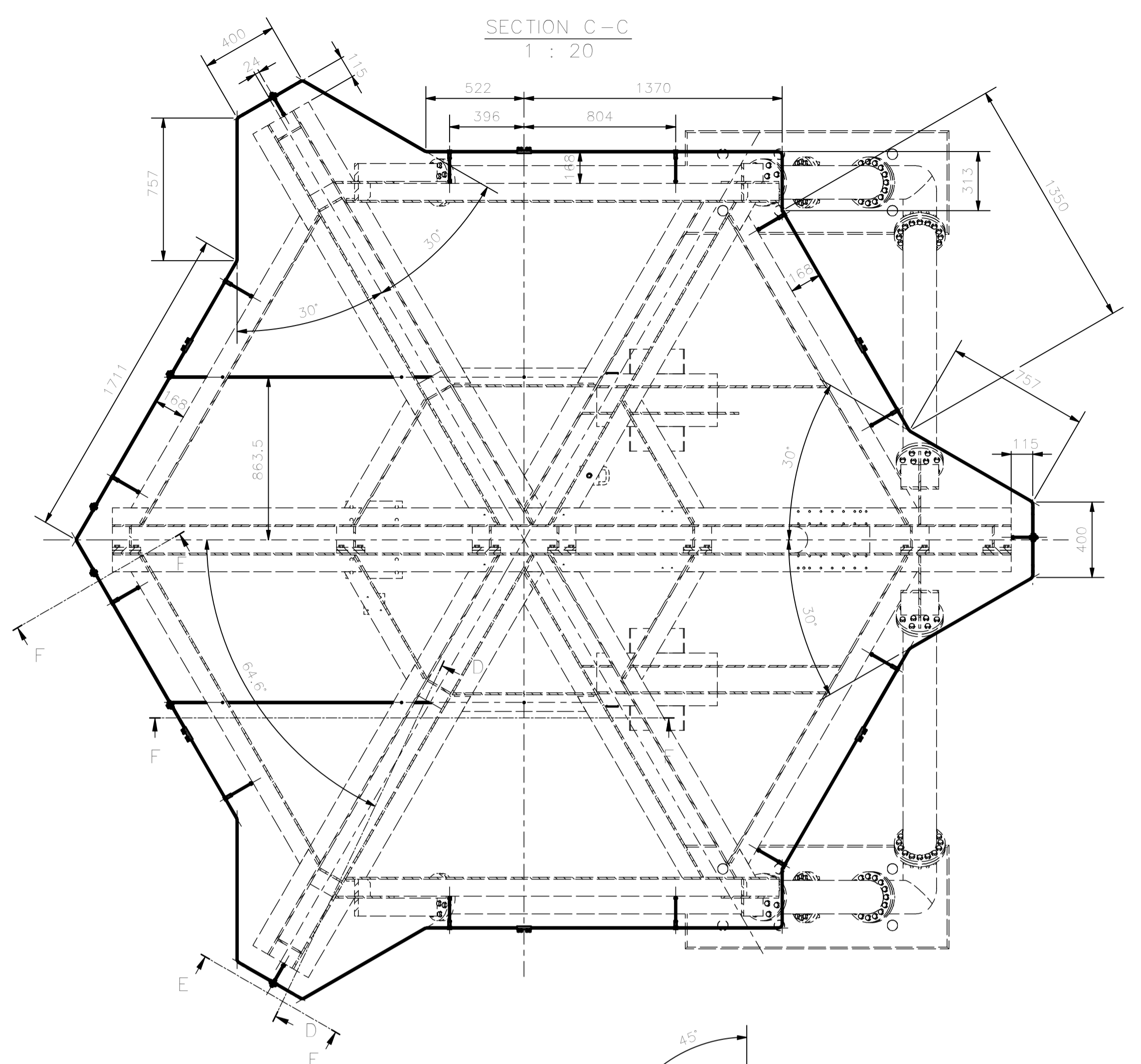
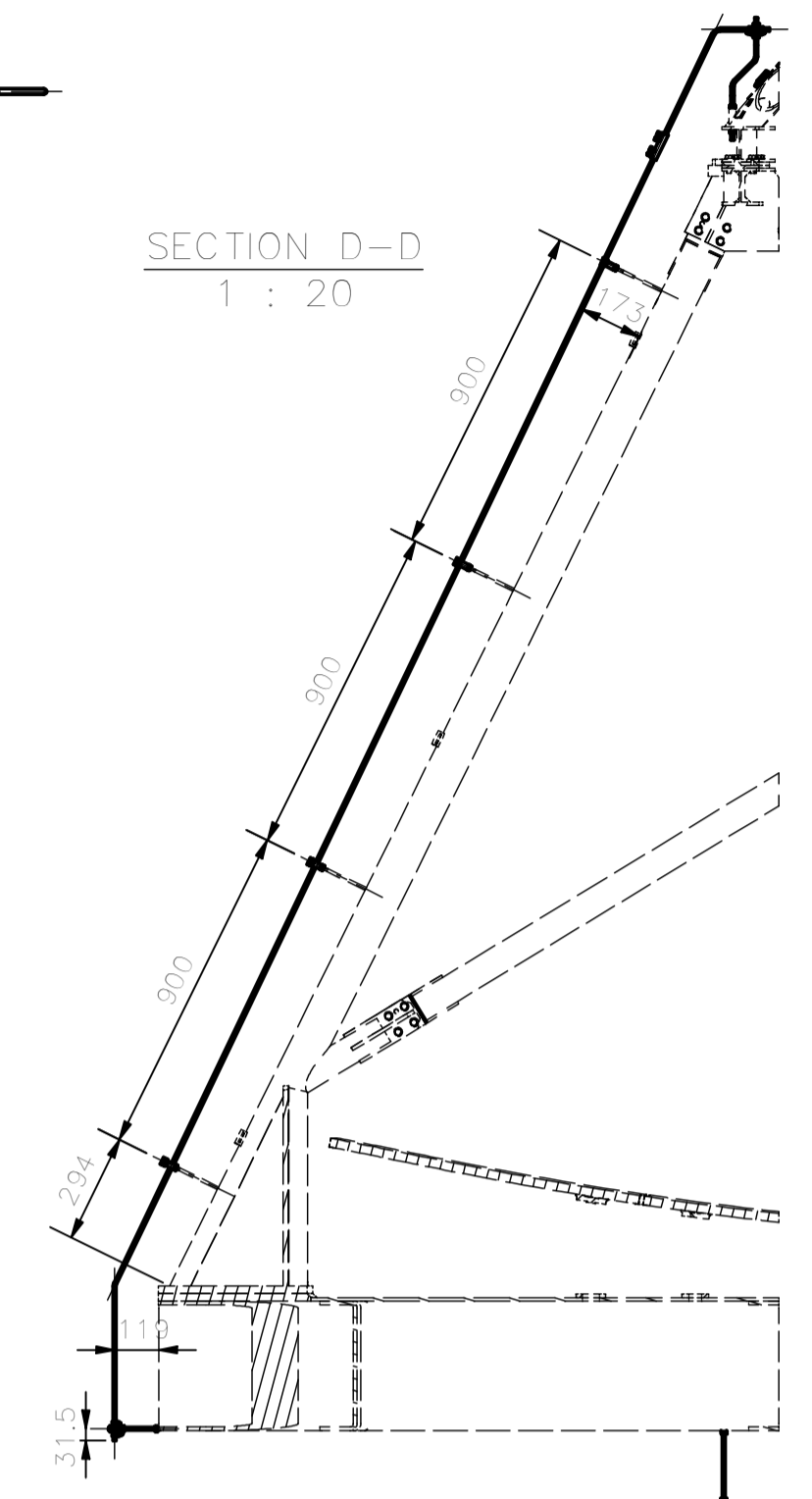
|  |                        |  |              |   |              |
|--|------------------------|--|--------------|---|--------------|
|  |                        | <b>EIE GROUP</b><br>via Torino 151A - Mestre<br>Venezia - 30172 - ITALY<br>tel. +39 041 5317906 - www.eie.it |              |   |              |
|  |                        | <b>ASTRI mini-array - CTA Small Size Telescope prototypes</b>  |              |   |              |
| Material:  | Surface:               | Tolerances according to:<br>ISO 2768-1-m<br>ISO 2768-2-k   | Roughness:   | Commissa/Job no.:   | <b>G0113</b> |
| Status:  | Mass:<br>29.12 kg      | Date:<br>13/11/2017  | Name:<br>ACA | Naming:<br><b>Electro Mechanics</b><br>Electrical System<br>LPS & Grounding<br>LPS & Grounding EL |              |
| Designed:<br>13/11/2017  | Checked:<br>10/04/2018 | Approved:<br>10/04/2018  | ABU          | Drawing N.:<br><b>7634-200-00-00</b>  |              |
| Drawing size: A1   |                        |  | Sheet: 1/2   |   |              |
| ALL RIGHTS BELONG TO EIE GROUP S.p.A.<br>NO COPIES, REPRODUCTION OR DISSEMINATION ARE PERMITTED. |                        |  |              |   |              |
| Filename: LPS & grounding EL.iam   |                        |  |              |   |              |



SECTION E-E  
1 : 10

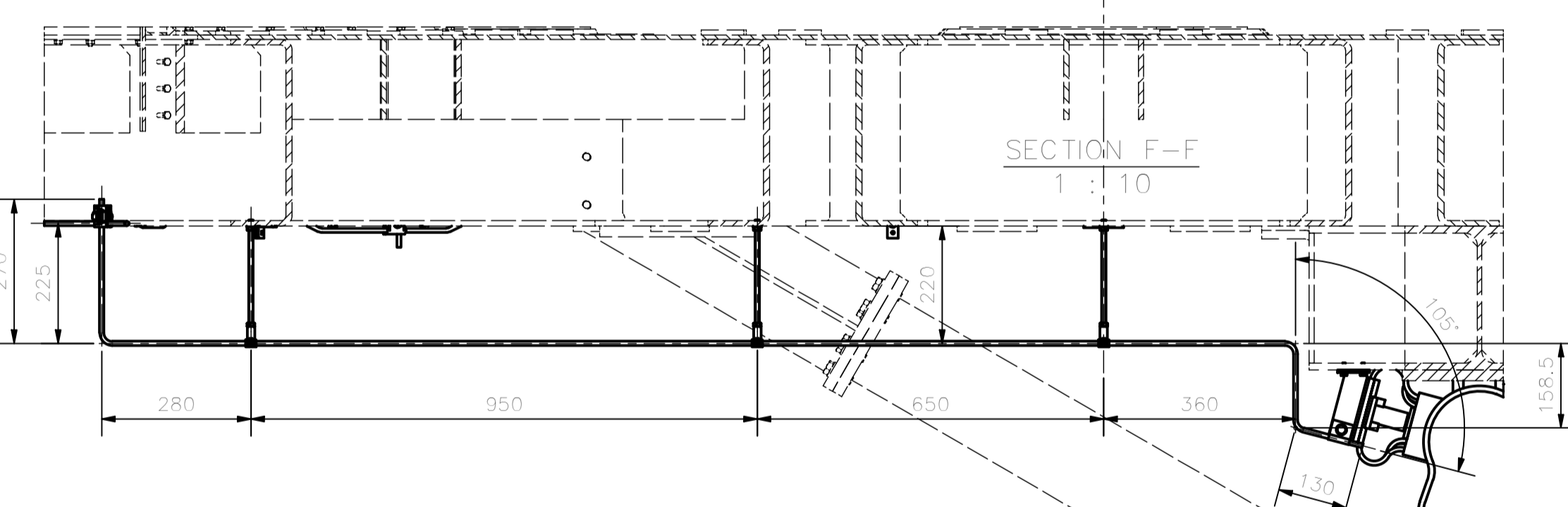
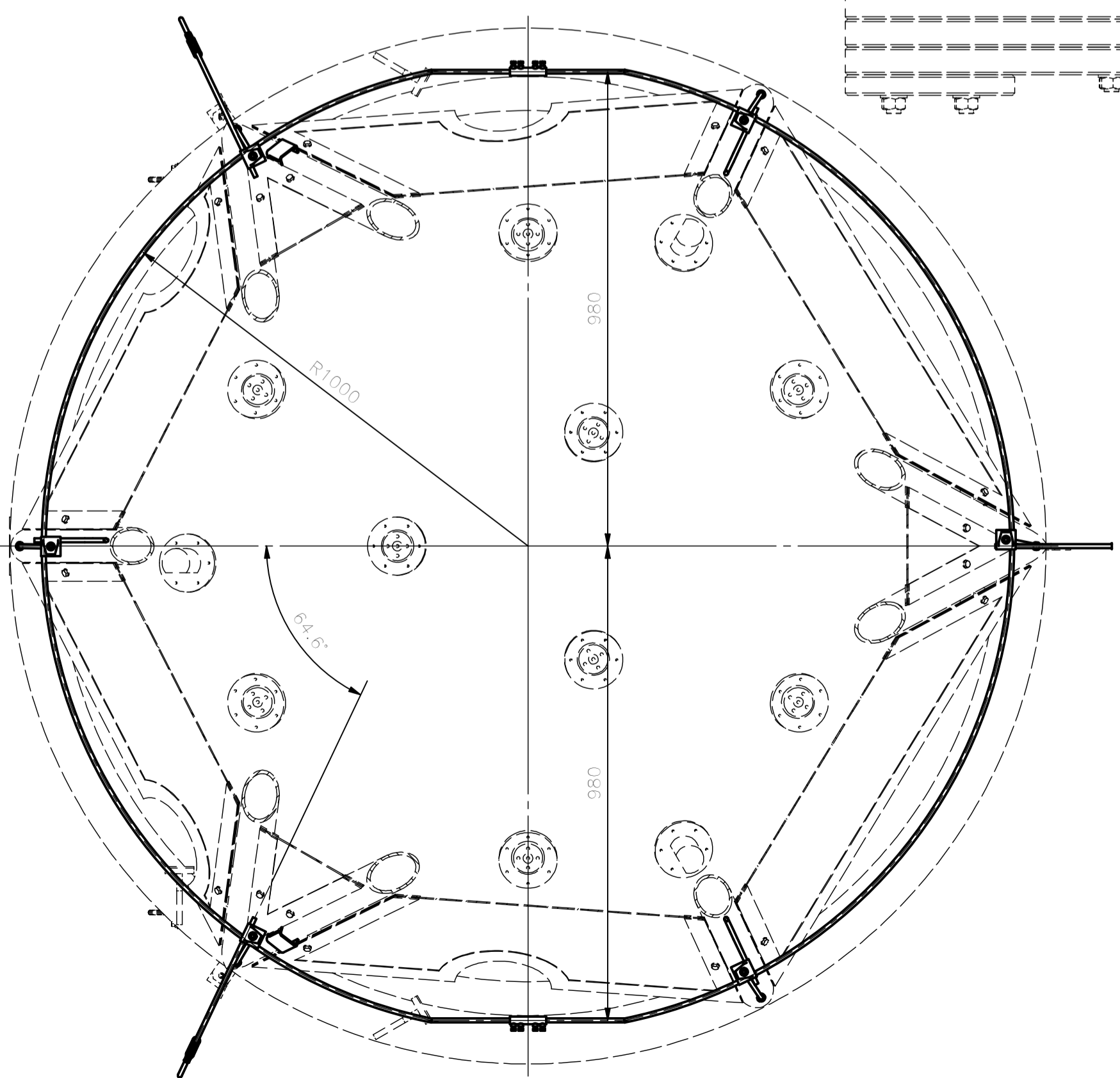


SECTION D-D  
1 : 20

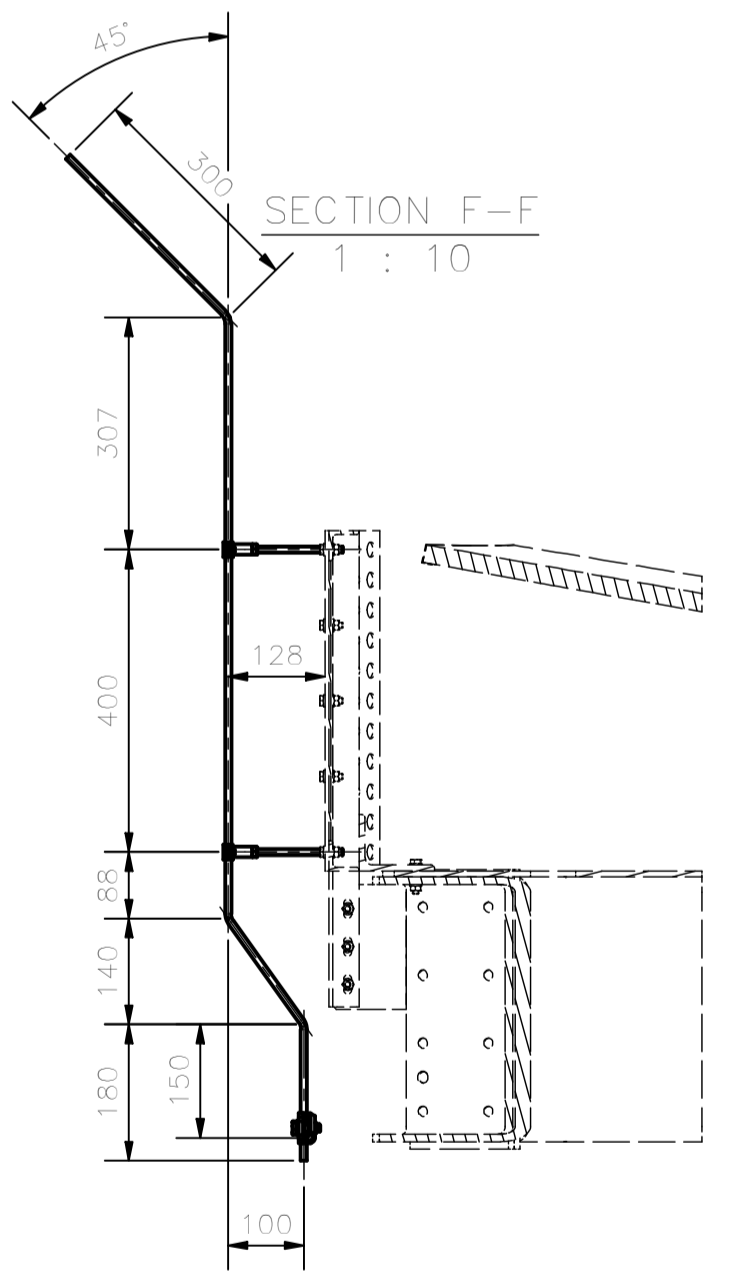


SECTION C-C  
1 : 20

SECTION B-B  
1 : 10

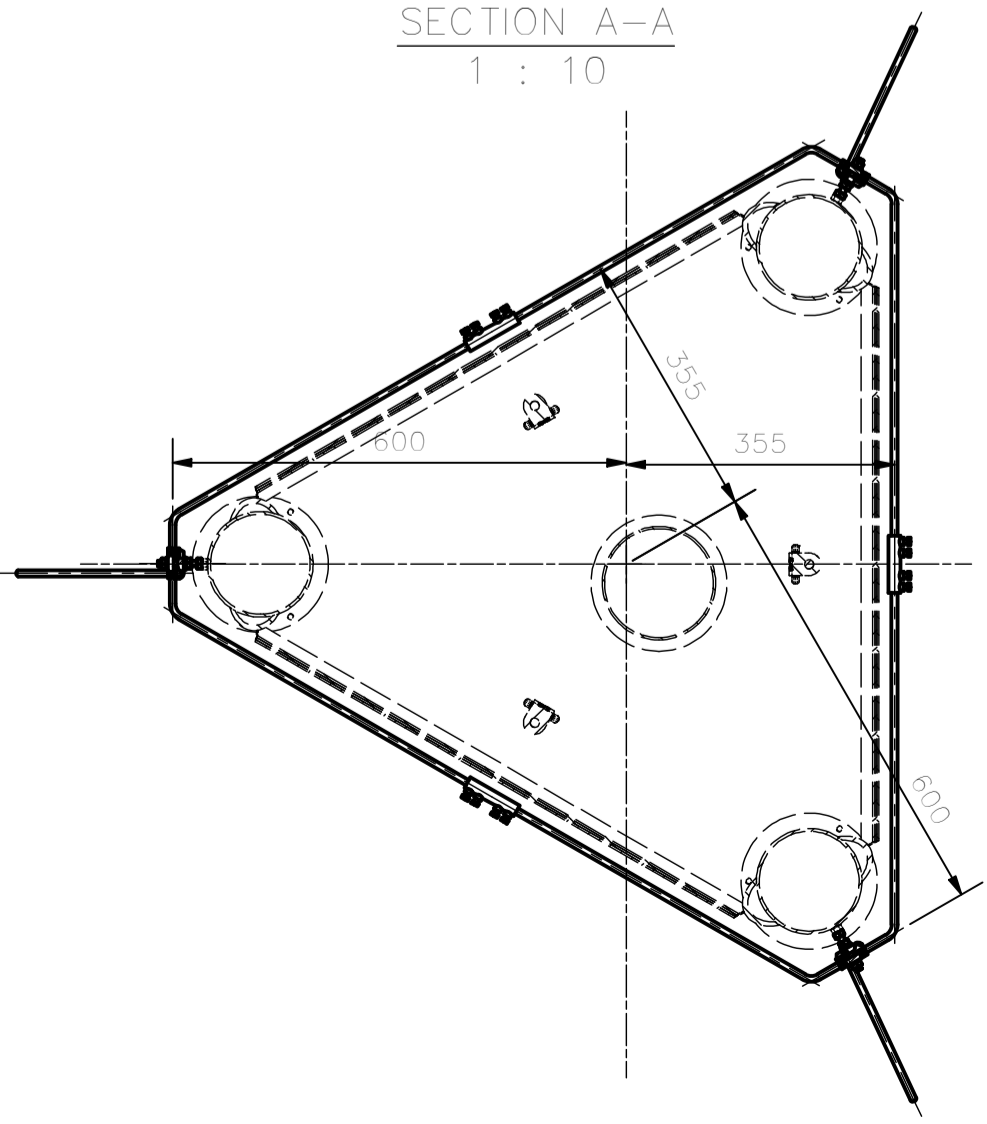


SECTION F-F  
1 : 10



SECTION F-F  
1 : 10

SECTION A-A  
1 : 10



|  |   |  |                            |  |                 |
|--|---|--|----------------------------|--|-----------------|
|  |   | <b>EIE GROUP</b><br>via Torino 151A - Mestre<br>Venezia - 30172 - ITALY<br>tel. +39 041 5317906 - www.eie.it |                            |  |                 |
|  |   | <b>ASTRI mini-array - CTA Small Size Telescope prototypes</b>  |                            |  |                 |
| Material:  | Surface:  | Tolerances according to:<br>ISO 2768-1-m<br>ISO 2768-2-k   | Roughness:                 | Commissa/Job no.:  | <b>G0113</b>    |
| Status:  | Mass:<br>29.12 kg   | Date:  | Scale:<br>1:20             | Naming:<br>Electro Mechanics<br>Electrical System<br>LPS & Grounding<br>LPS & Grounding EL |                 |
|  | Designed: 13/11/2017<br>Checked: 10/04/2018<br>Approved: 12/04/2018 | ACA<br>ABU<br>GPM  | Name:<br>ACA<br>ABU<br>GPM | Drawing N.:  |                 |
|  | Drawing size:   | A1   | 7634-200-00-00             |  | Sheet:<br>2 / 2 |
| ALL RIGHTS BELONG TO EIE GROUP S.p.A.<br>NO COPIES, REPRODUCTION OR DISSEMINATION ARE PERMITTED. |   |  |                            | Filename: LPS & grounding EL.iam   |                 |