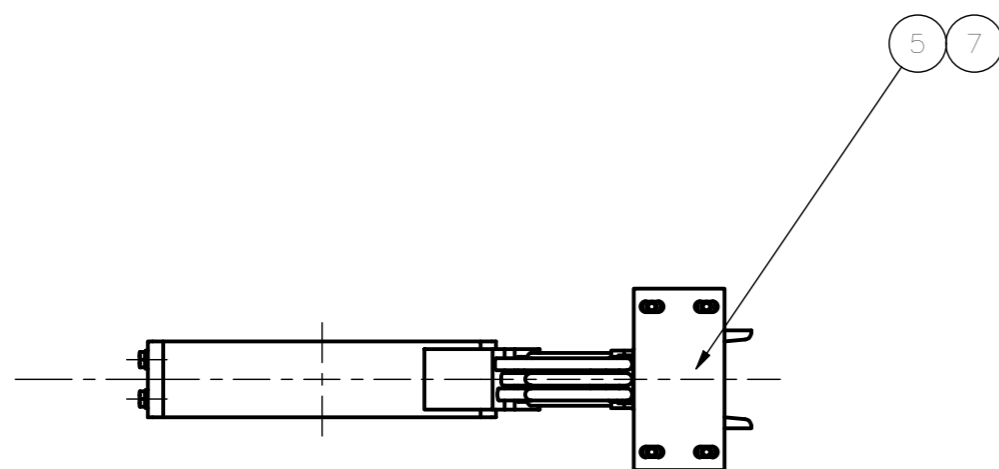




ISOMETRIC VIEW



Item	Code	Description	Q.ty	Material	Mass
8	ISO 7089 - 6	Plain washers	8	HV 200 electro galvanized	0,001 kg
7	ISO 7089 - 10	Plain washers	2	HV 200 electro galvanized	0,004 kg
6	ISO 4017 - M6 x 20	Hexagon head screws	8	cl. 8.8 electro galvanized	0,007 kg
5	ISO 4017 - M10 x 45	Hexagon head screws	2	cl. 8.8 electro galvanized	0,038 kg
4	F 1951 Ident. 1411764RL	Brush Holder Radius=105 MORGAN REKOFA	1		0,317 kg
3	7634-120-03-00	LPS EL support shim	1	Construction steel S355J0 EN10027	0,189 kg
2	7634-120-02-00	LPS EL brush support	1	Welded construction steel S355J0 EN10027	1,174 kg
1	7634-120-01-00	LPS EL strip	1	AISI 316-EN1.4401	2,986 kg

 EIE GROUP via Torino 151A - Mestre Venezia - 30172 - ITALY tel. +39 041 5317906 - www.eie.it		 ASTRI ASTRI mini-array - CTA Small Size Telescope prototypes													
Material:	Surface:	Tolerances according to: ISO 2768/1-m ISO 2768/2-k	Roughness: Compressa/Job no.: G0113												
Status:	Mass: 4,81 kg	Scale: 1:5	Naming: Electrical system LPS & grounding LPS & grounding AZ LPS EL unit												
<table border="1"> <tr> <td>Designed</td> <td>09/04/2018</td> <td>Name:</td> <td>NAN</td> </tr> <tr> <td>Checked</td> <td>16/04/2018</td> <td></td> <td>ABU</td> </tr> <tr> <td>Approved</td> <td>17/04/2018</td> <td></td> <td>GPM</td> </tr> </table>		Designed	09/04/2018	Name:	NAN	Checked	16/04/2018		ABU	Approved	17/04/2018		GPM	Drawing N.	Sheet: 1/1
Designed	09/04/2018	Name:	NAN												
Checked	16/04/2018		ABU												
Approved	17/04/2018		GPM												
<table border="1"> <tr> <td>Rev.</td> <td>First issue</td> <td>ACA</td> <td>04.03.21</td> </tr> <tr> <td></td> <td>Modification</td> <td>Name</td> <td>Date</td> </tr> </table>		Rev.	First issue	ACA	04.03.21		Modification	Name	Date	Drawing size: A2	7634-120-00-00				
Rev.	First issue	ACA	04.03.21												
	Modification	Name	Date												
ALL RIGHTS BELONG TO EIE GROUP Srl NO COPIES, REPRODUCTION OR DISSEMINATION ARE PERMITTED.			Filename: LPS EL unit.iam												