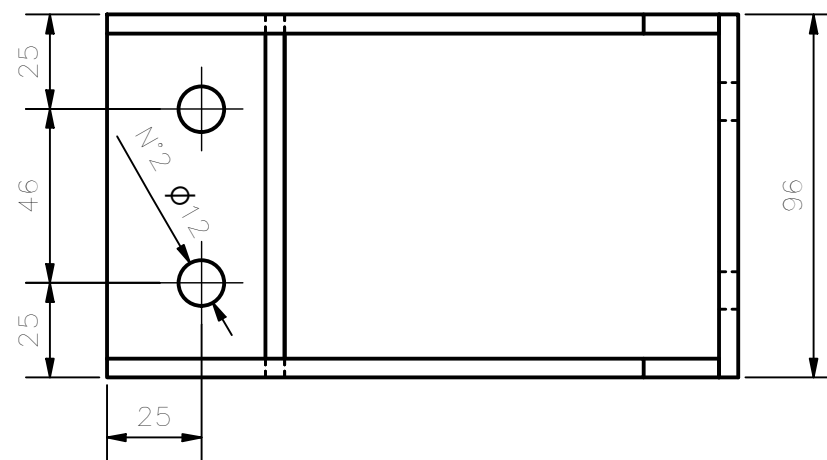
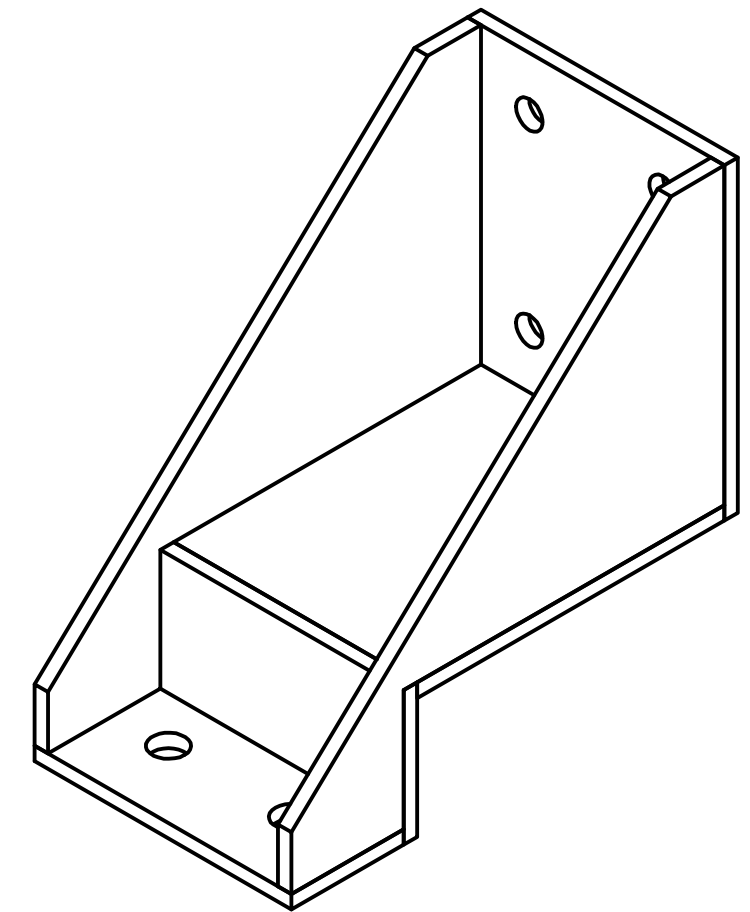
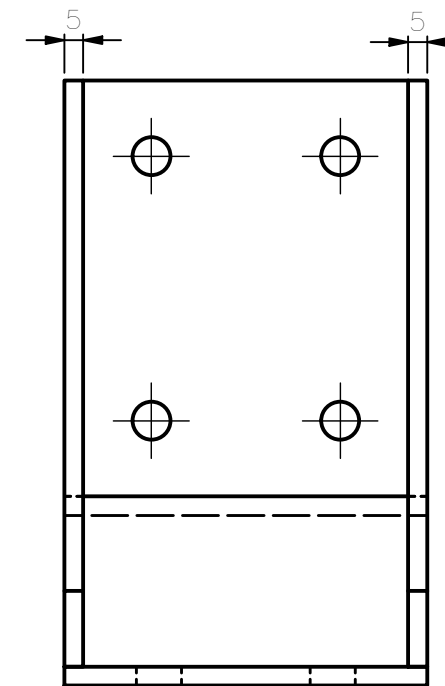
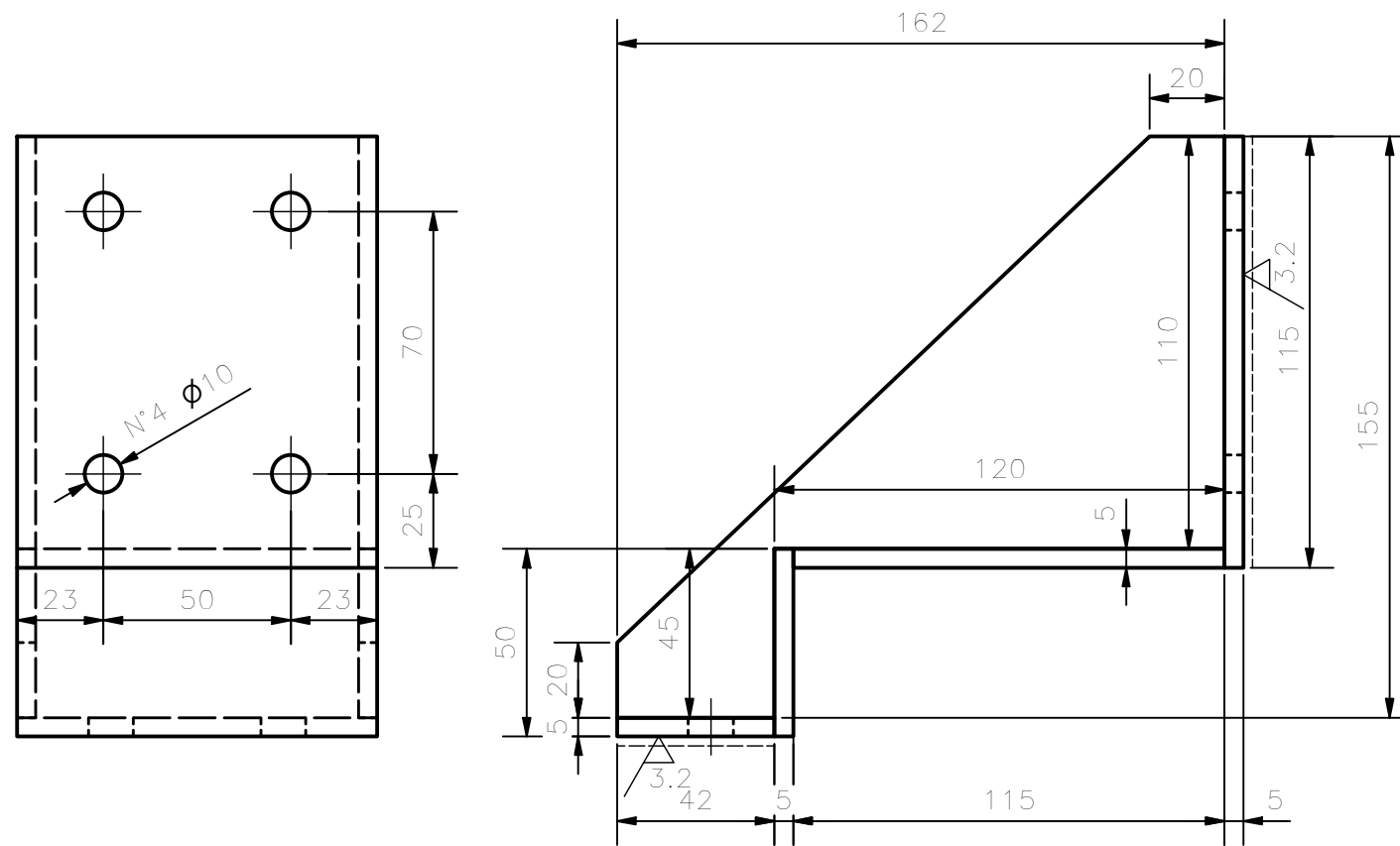
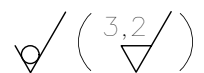


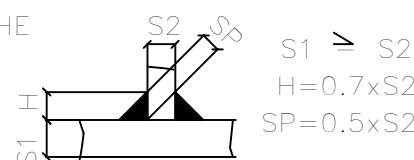
ISOMETRIC VIEW



NOTE:
1) NOT DIMENSIONED CHAMFER 0.5x45°



SALDATURE D'ANGOLO TIPICHE
SALVO ECCEZIONI INDICATE
TYPICAL FILLET WELDS
EXCEPT WHERE OTHERWISE NOTED



		EIE GROUP via Torino 151A - Mestre Venezia - 30172 - ITALY tel. +39 041 5317906 - www.eie.it				ASTRI mini-array - CTA Small Size Telescope prototypes	
Material: Welded construction steel S355J0 EN10027		Surface:		Tolerances according to: ISO 2768/1-m ISO 2768/2-k		Roughness:	
Status:		Mass: 1,99 kg		Scale: 1:5		Comessa/Job no.: G0113	
Designed: 04/02/2014 Checked: 17/02/2014 Approved: 17/02/2014		Date: 17/02/2014		Name: AS AB GPM		Naming: Electro Mechanics Electrical System LPS & Grounding LPS AZ brush support	
Drawing size:		A3		Drawing N. 7634-110-03-00		Sheet: 1 / 1	
ALL RIGHTS BELONG TO EIE GROUP Srl NO COPIES, REPRODUCTION OR DISSEMINATION ARE PERMITTED.						Filename: LPS AZ brush support.ipt	