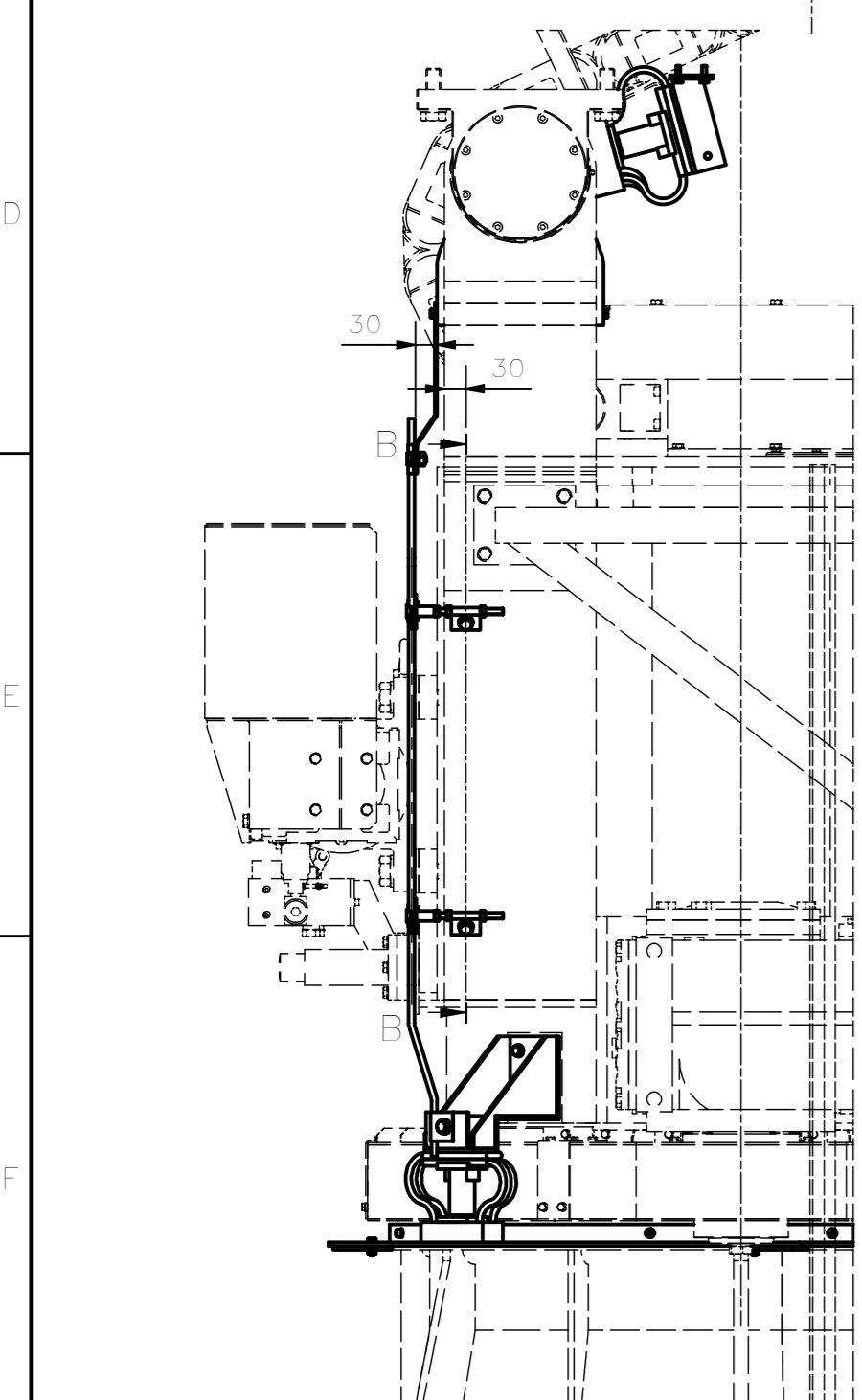
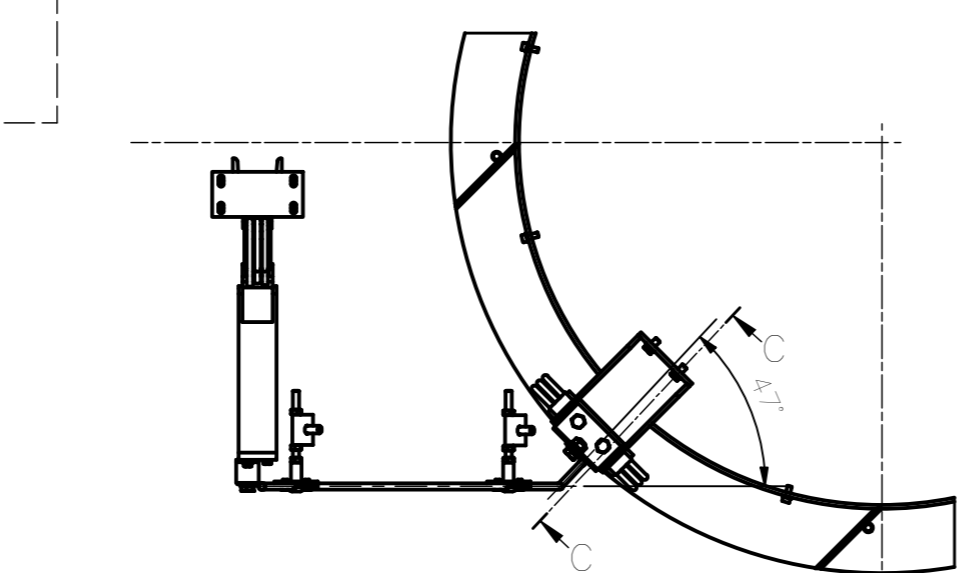


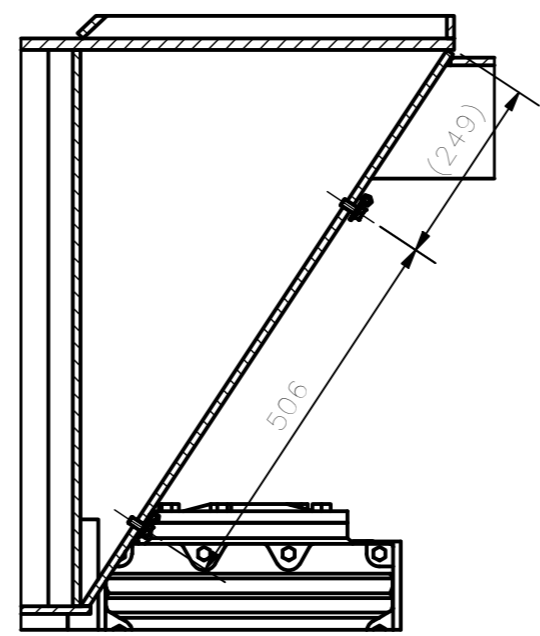
ISOMETRIC VIEW



VIEW A
1 : 10



SECTION C-C
1 : 5



SECTION B-B
1 : 10

16	ISO 4017 - M10 x 25	Hexagon head screws	4	Cl. 8.8 Galv.	0,026 kg
15	ISO 4032 - M8	Hexagon nuts	12	Cl. 8 Galv.	0,006 kg
14	ISO 4032 - M10	Hexagon nuts	4	Cl. 8 Galv.	0,010 kg
13	ISO 4017 - M10 x 20	Hexagon head screws	4	Cl. 8.8 Galv.	0,023 kg
12	ISO 7089 - 10	Plain washers	12	HV 200 Galv.	0,004 kg
11	ISO 4017 - M6 x 20	Hexagon head screws	2	Cl. 8.8 Galv.	0,007 kg
10	ISO 7089 - 6	Plain washers	2	HV 200 Galv.	0,001 kg
9	M8x105 DIN 975	Threaded Bar	4	Galvanized Steel	0,041 kg
8	168 DIN-K-M8	Clamp OBO	4	Galvanized Steel	0,078 kg
7	Clamp 345 008	Compression clamp DEHN	8	Galvanized Steel	0,025 kg
6	Conductor 800 008 (15)	Steel Conductor DEHN	1	Galvanized Steel	0,452 kg
5	Conductor 800 008 (14)	Steel Conductor DEHN	1	Galvanized Steel	0,452 kg
4	7634-120-00-00	LPS EL unit	2		4,813 kg
3	7634-110-00-00	LPS AZ unit	1		25,195 kg
2	7634-100-02-00	AZ conductor bracket	2	Construction steel S235J2G3 EN10027	0,171 kg
1	7634-100-01-00	AZ Conductor plate	2	Bronze G-Sn Cu 12 UNI 7013	0,192 kg
Item	Code	Description	Q.ty	Material	Mass

		EIE GROUP via Torino 151A - Mestre Venezia - 30172 - ITALY tel. +39 041 5317906 - www.eie.it			
Material:		Surface:		Tolerances according to: ISO 2768/1-m ISO 2768/2-k	
Status:		Mass: 37,49 kg		Roughness: Comnessa/Job no.: G0113	
Date: 15/11/2017		Name: ACA		Naming: Electro Mechanics	
Checked: 10/04/2018		Name: ABU		Electrical System	
Approved: 12/04/2018		Name: GPM		LPS & Grounding	
Drawing size: A2		Drawing N. 7634-100-00-00		Sheet: 1/1	
ALL RIGHTS BELONG TO EIE GROUP Srl NO COPIES, REPRODUCTION OR DISSEMINATION ARE PERMITTED.					
Filename: LPS & grounding AZ.iam					