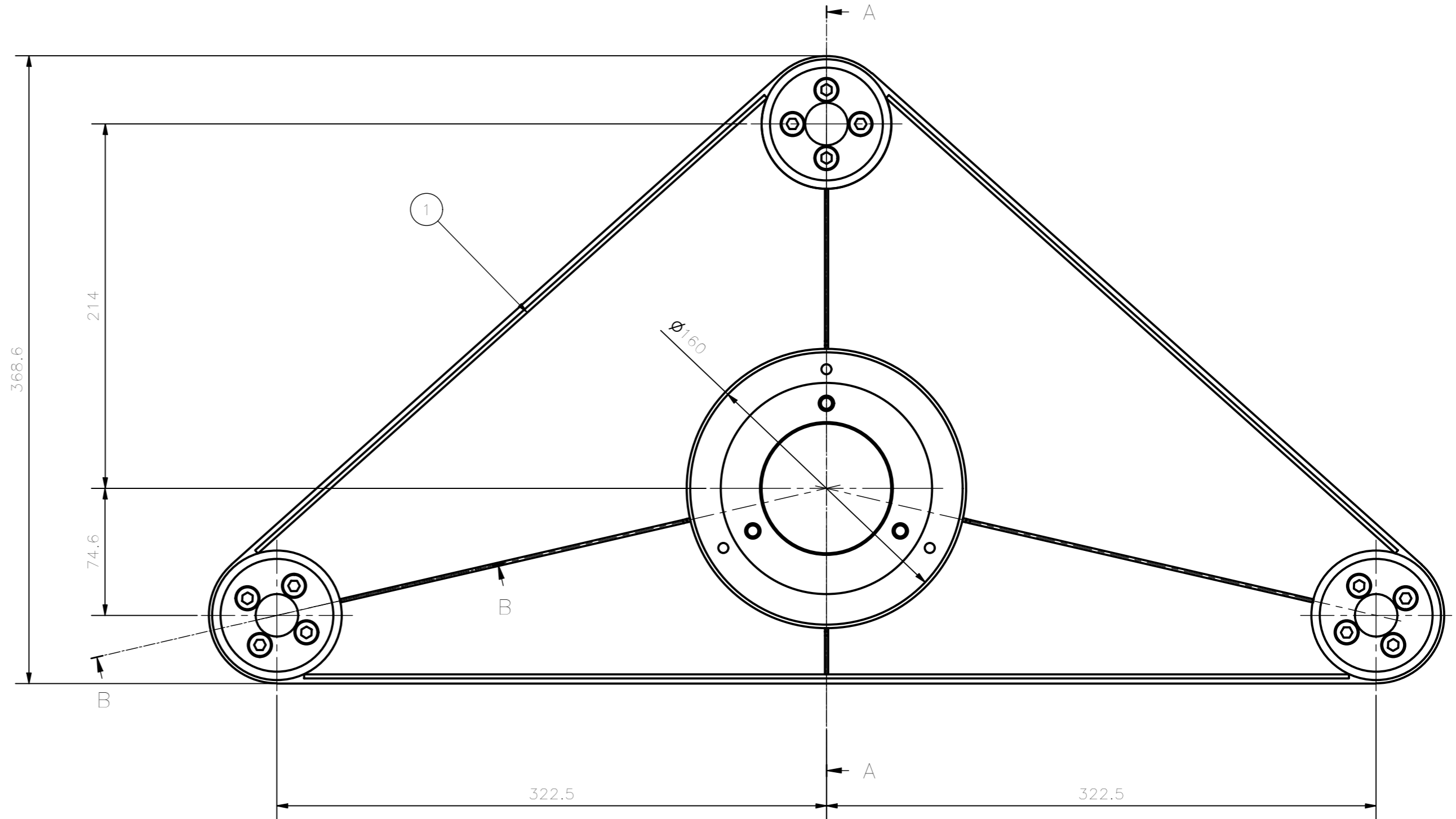
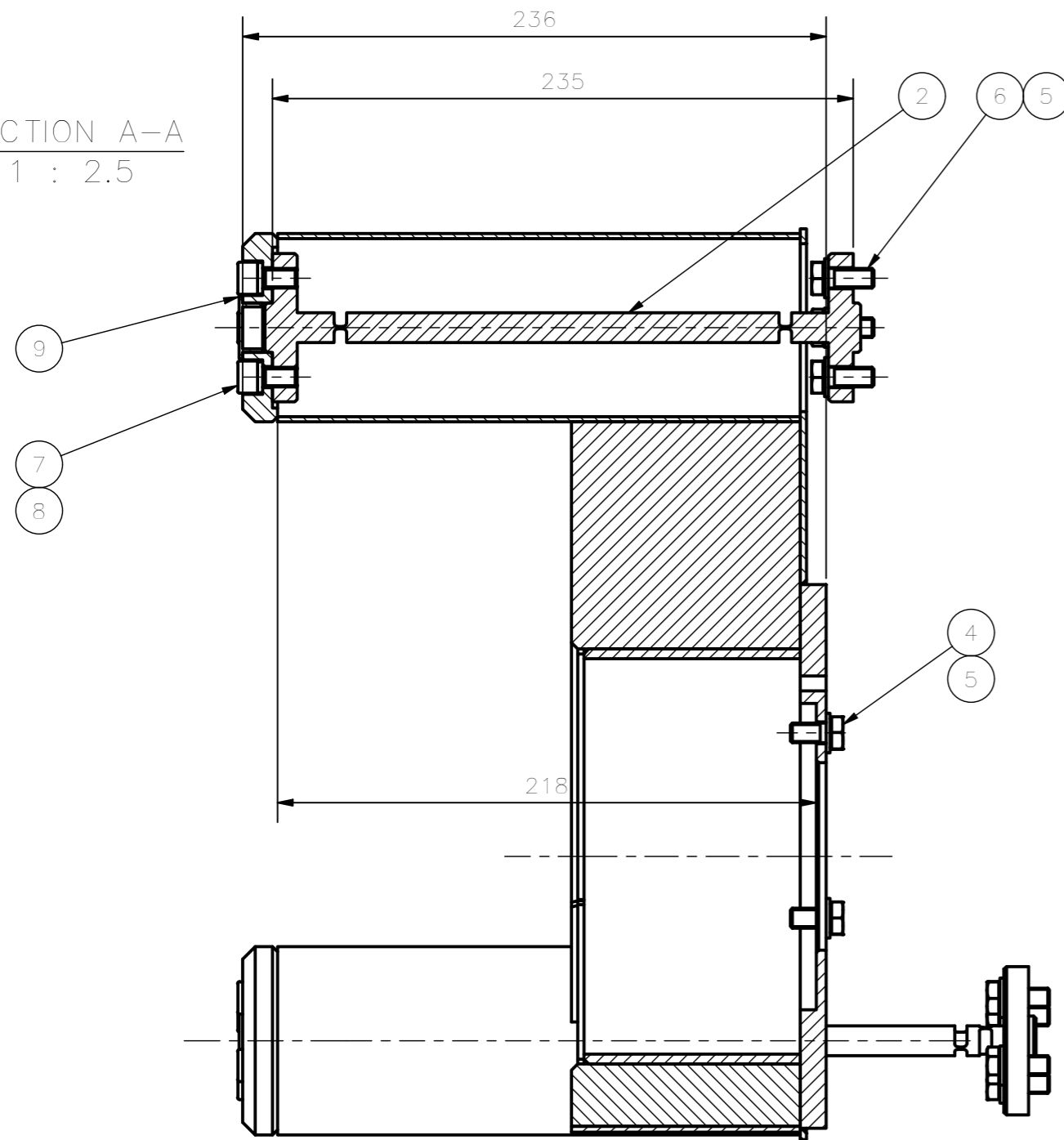
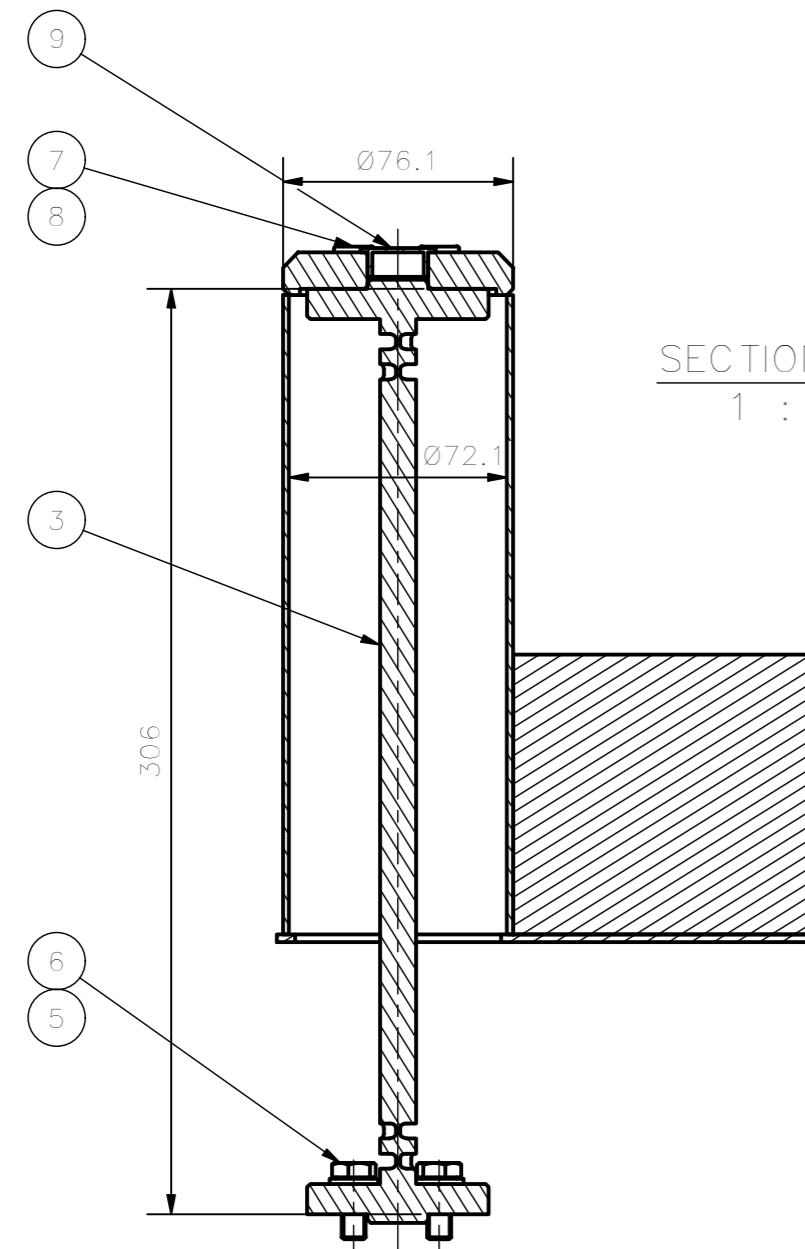





SECTION A-A  
1 : 2.5



SECTION B-B  
1 : 2.5



Item	Code	Description	Q.ty	Material	Mass
9	EP340-K 19 OTM	Flat Head Protection Plug	3	PE LD	0,001 kg
8	DIN 7980 - 8	Spring Washer	12	C70 Steel	0,001 kg
7	ISO 4762 - M8 x 16	Hexagon Socket Head Cap Screw	12	Cl. 8.8 Galv.	0,013 kg
6	ISO 4017 - M8 x 20	Hexagon head screws	12	Cl. 8.8 Galv.	0,014 kg
5	ISO 7089 - 8	Plain washers	15	HV 200 Galv.	0,002 kg
4	ISO 4017 - M8 x 16	Hexagon head screws	3	Cl. 8.8 Galv.	0,012 kg
3	7126-400-03-00	Lateral rod	2	Steel 2C40 UNI EN10083/1	0,667 kg
2	7126-400-02-00	Central rod	1	Steel 2C40 UNI EN10083/1	0,604 kg
1	7126-400-01-00	Triangle frame	1	Construction steel S355J0 EN10027	15,500 kg

 <b>EIE GROUP</b> via Torino 151A - Mestre Venezia - 30172 - ITALY tel. +39 041 5317906 - www.eie.it		 <b>ASTRI</b> ASTRI mini-array - CTA Small Size Telescope prototypes												
Material:	Surface:	Tolerances according to: ISO 2768/1-m ISO 2768/2-k	Roughness:	Commissa/Job no.:	 VIEWS AND SECTIONS ARE TO BE WORKED WITH REFERENCE TO EUROPEAN DWG SYSTEM									
Status:	Mass: 17,84 kg	Scale: 1:2.5	Naming: Electro Mechanics Optical Support Structure M2 Support M2 loadspreader											
<table border="1"> <tr> <td>Designed</td> <td>10/04/2018</td> <td>ABU</td> </tr> <tr> <td>Checked</td> <td>10/04/2018</td> <td>ABU</td> </tr> <tr> <td>Approved</td> <td>12/04/2018</td> <td>GPM</td> </tr> </table>		Designed	10/04/2018	ABU	Checked	10/04/2018	ABU	Approved	12/04/2018	GPM	Date:	Name:	Drawing N.	Sheet: 1 / 1
Designed	10/04/2018	ABU												
Checked	10/04/2018	ABU												
Approved	12/04/2018	GPM												
<table border="1"> <tr> <td>Rev.</td> <td>Modification</td> <td>Name</td> <td>Date</td> </tr> <tr> <td>A</td> <td>First issue</td> <td>ACA</td> <td>04.03.21</td> </tr> </table>		Rev.	Modification	Name	Date	A	First issue	ACA	04.03.21	Drawing size:	A2	Drawing size: A2 7126-400-00-00 Filename: M2 loadspreader.iam		
Rev.	Modification	Name	Date											
A	First issue	ACA	04.03.21											
ALL RIGHTS BELONG TO EIE GROUP Srl NO COPIES, REPRODUCTION OR DISSEMINATION ARE PERMITTED.														