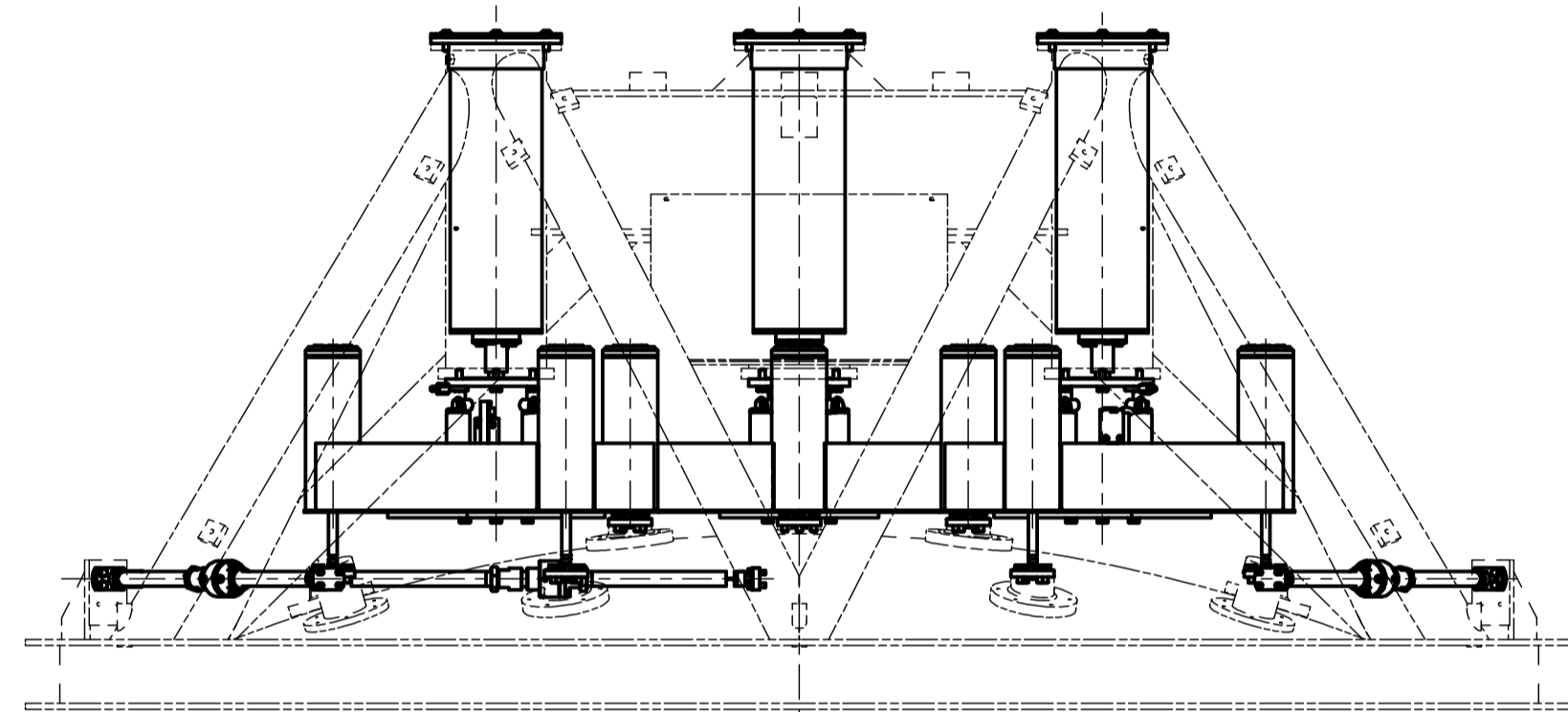
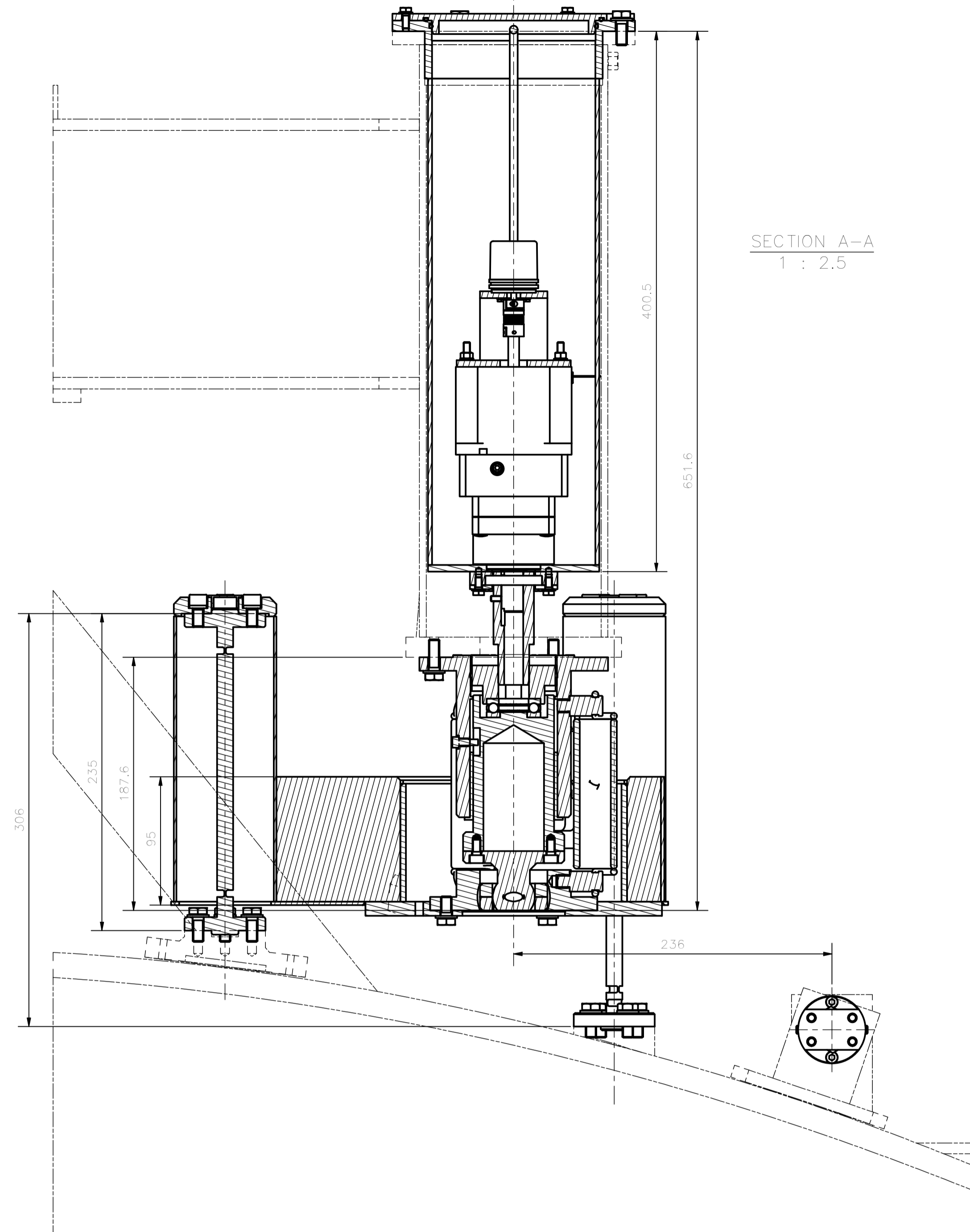
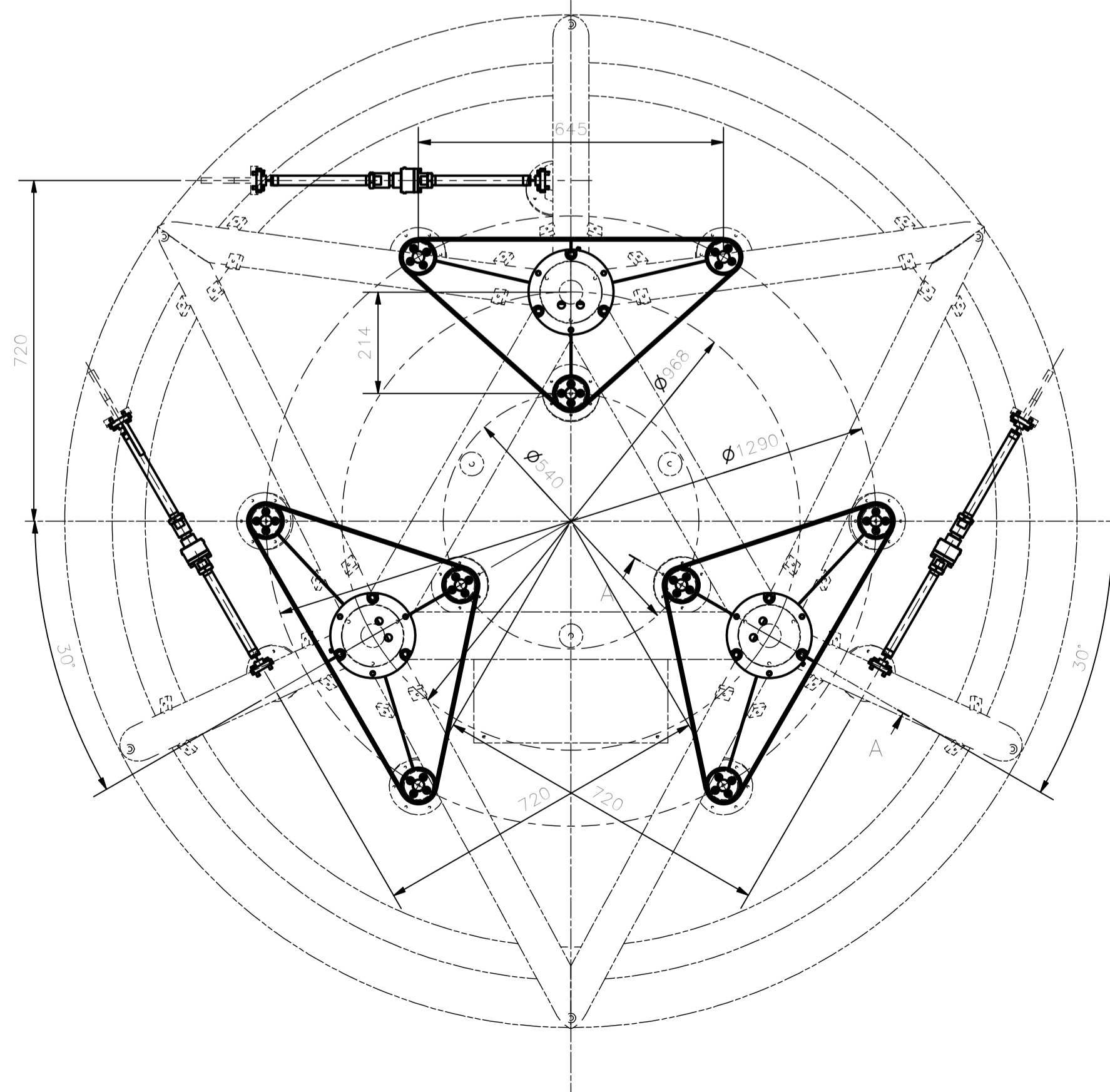
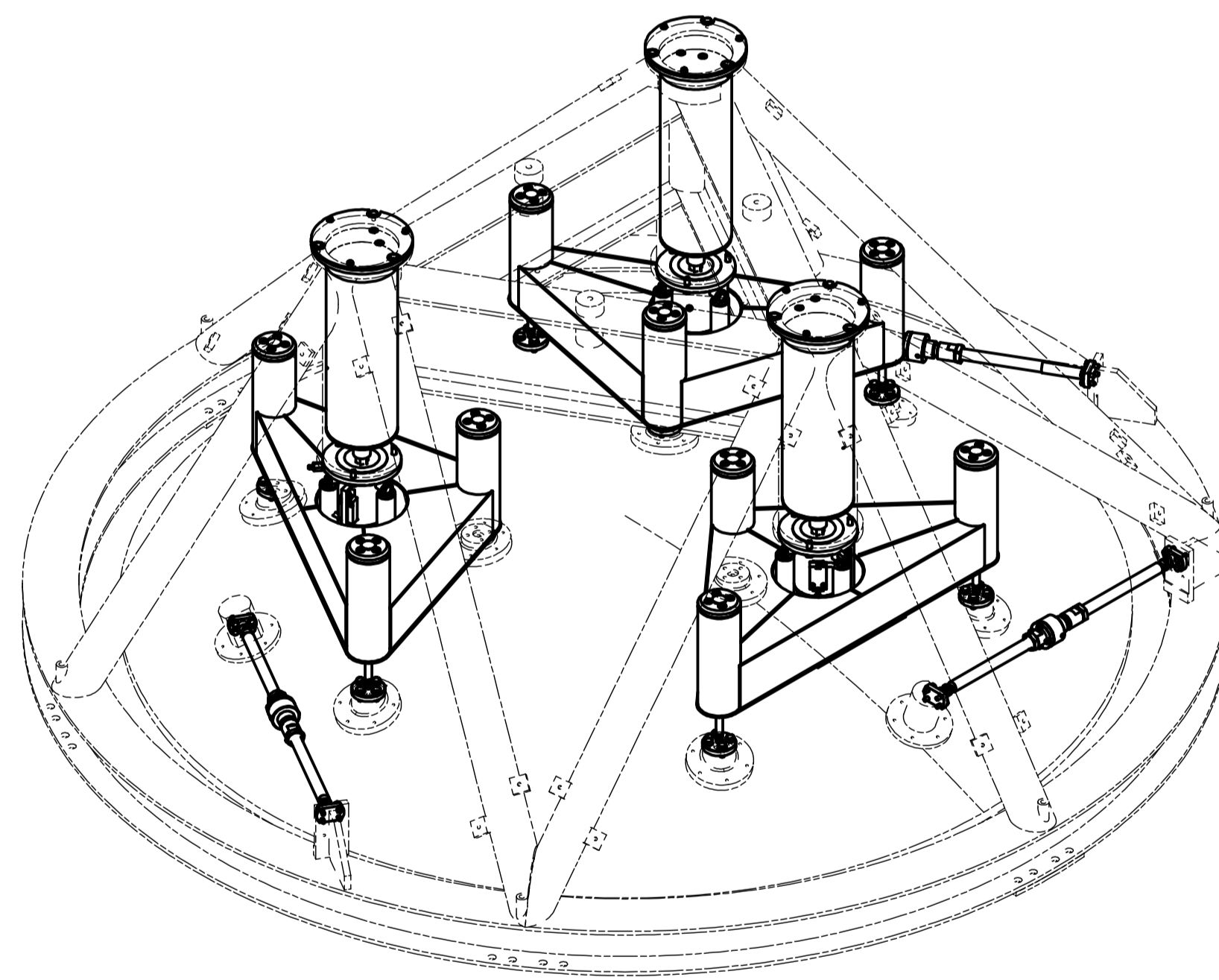


M2 SUPPORT
OPERATIVE



ISOMETRIC VIEW



SECTION A-A
1 : 2.5

| 4 | 7126-400-00-00 | M2 Loadspreader | 3 | 17,839 kg | |
|------|----------------|--------------------------|-----|-----------|------|
| 3 | 7126-300-00-00 | M2 Lateral Fix Point | 3 | 2,331 kg | |
| 2 | 7126-200-00-00 | M2 Actuator Driving Unit | 3 | 8,453 kg | |
| 1 | 7126-100-00-00 | M2 Actuator | 3 | 8,472 kg | |
| Item | Code | Description | Qty | Material | Mass |

| | | | | | |
|--|--|--|--|---|--|
| | | EIE GROUP via Torino 151A - Mestre Venezia - 30172 - ITALY tel. +39 041 5317906 - www.eie.it | | | |
| Material: | | Surface: | | Tolerances according to: ISO 2768-1-m ISO 2768-2-k | |
| Status: | | Mass: 111,19 kg | | Roughness: | |
| Date: 10/04/2018 | | Name: ABU | | Comessa/Job no.: G0113 | |
| Checked: 10/04/2018 | | Name: ABU | | Naming: Electro Mechanics Optical Support Structure M2 Support | |
| Approved: 10/04/2018 | | Name: GPM | | Drawing N.: 7126-000-00-00 | |
| Drawing size: A1 | | Scale: 1:10 | | Sheet: 1/1 | |
| ALL RIGHTS BELONG TO EIE GROUP S.p.A. NO COPIES, REPRODUCTION OR DISSEMINATION ARE PERMITTED. | | | | | |
| Filename: M2 supportLiam | | | | Drawing N.: 7126-000-00-00 | |