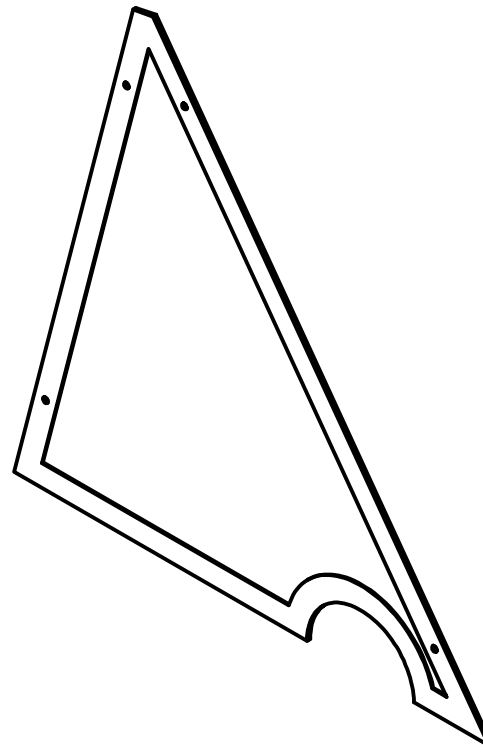
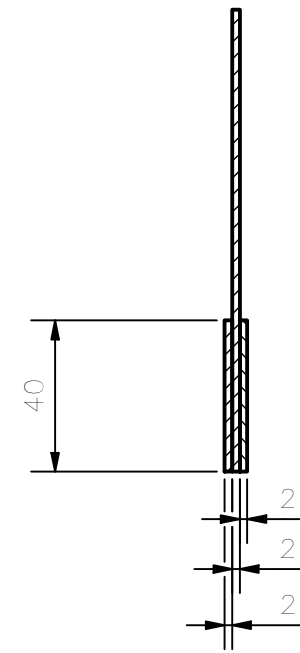


ISOMETRIC VIEW




SECTION A-A
1 : 2



NOTES:

- 1) DEBURRING OF NOT DIMENSIONED EDGES ARE STRICTLY REQUIRED
- 2) THE SURFACES MUST BE COATED WITH PAINTING TYPE RAL 3016 UNLESS OTHERWISE SPECIFIED

 EIE GROUP via Torino 151A - Mestre Venezia - 30172 - ITALY tel. +39 041 5317906 - www.eie.it		 ASTRI ASTRI mini-array - CTA Small Size Telescope prototypes		
Material: Welded EN AW-5083	Surface:	Tolerances according to: ISO 2768/1-m ISO 2768/2-k	Roughness:	Commissa/Job no.: G0113
Status:	Mass: 3,29 kg	Scale: 1:5	Naming: Electro Mechanics Optical Support Structure M2 BUS Main Structure M2 shield 5	
Date: Designed 02/02/2017 ABU Checked 15/10/2018 ABU Approved 16/10/2018 GPM		Drawing N. 7124-000-09-00		Sheet: 1 / 1
Drawing size: A3		Filename: M2 shield 5.ipt		
ALL RIGHTS BELONG TO EIE GROUP Srl NO COPIES, REPRODUCTION OR DISSEMINATION ARE PERMITTED.				