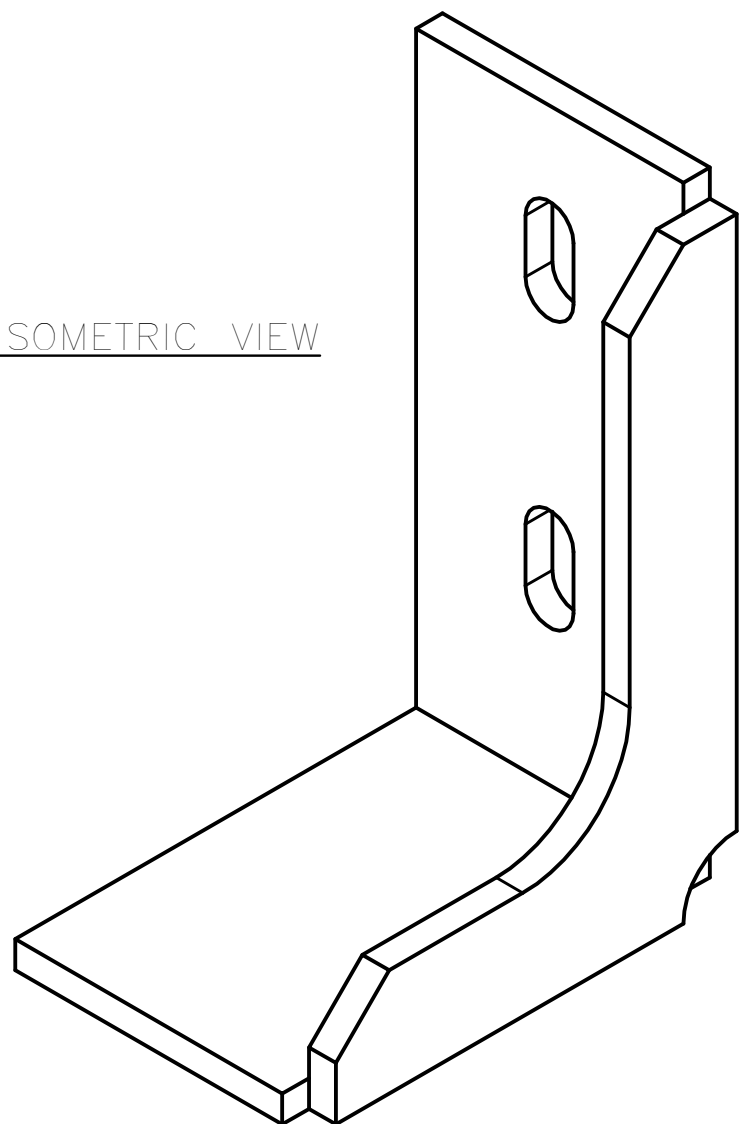
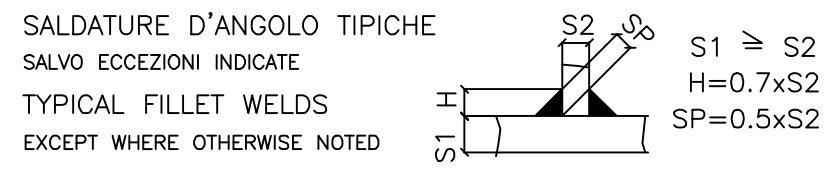





ISOMETRIC VIEW



- NOTES:
- 1) DEBURRING OF NOT DIMENSIONED EDGES ARE STRICTLY REQUIRED
 - 2) THE SURFACES MUST BE COATED WITH PAINTING TYPE RAL 3016 UNLESS OTHERWISE SPECIFIED



 EIE GROUP via Torino 151A - Mestre Venezia - 30172 - ITALY tel. +39 041 5317906 - www.eie.it		  ASTRI mini-array - CTA Small Size Telescope prototypes										
Material: Welded construction steel S355J2G3 EN10027	Surface:	Tolerances according to: ISO 2768/1-m ISO 2768/2-k	Roughness:	Commissa/Job no.: G0113								
Status:	Mass: 0,49 kg	Scale: 1:1	Naming: Electro Mechanics Optical Support Structure M2 BUS Main Structure Lower Soft Pad Support									
<table border="1"> <thead> <tr> <th>Rev</th> <th>Modification</th> <th>Name</th> <th>Date</th> </tr> </thead> <tbody> <tr> <td>A</td> <td>First issue</td> <td>ACA</td> <td>04.03.21</td> </tr> </tbody> </table>		Rev	Modification	Name	Date	A	First issue	ACA	04.03.21	Date: 21/11/2018	Name: ACA	Drawing N. 7124-000-02-00
Rev	Modification	Name	Date									
A	First issue	ACA	04.03.21									
		Checked 21/11/2018	ABU									
		Approved 22/11/2018	GPM	Sheet: 1 / 1								
ALL RIGHTS BELONG TO EIE GROUP Srl NO COPIES, REPRODUCTION OR DISSEMINATION ARE PERMITTED.				Filename: Lower soft pad 1.ipt								