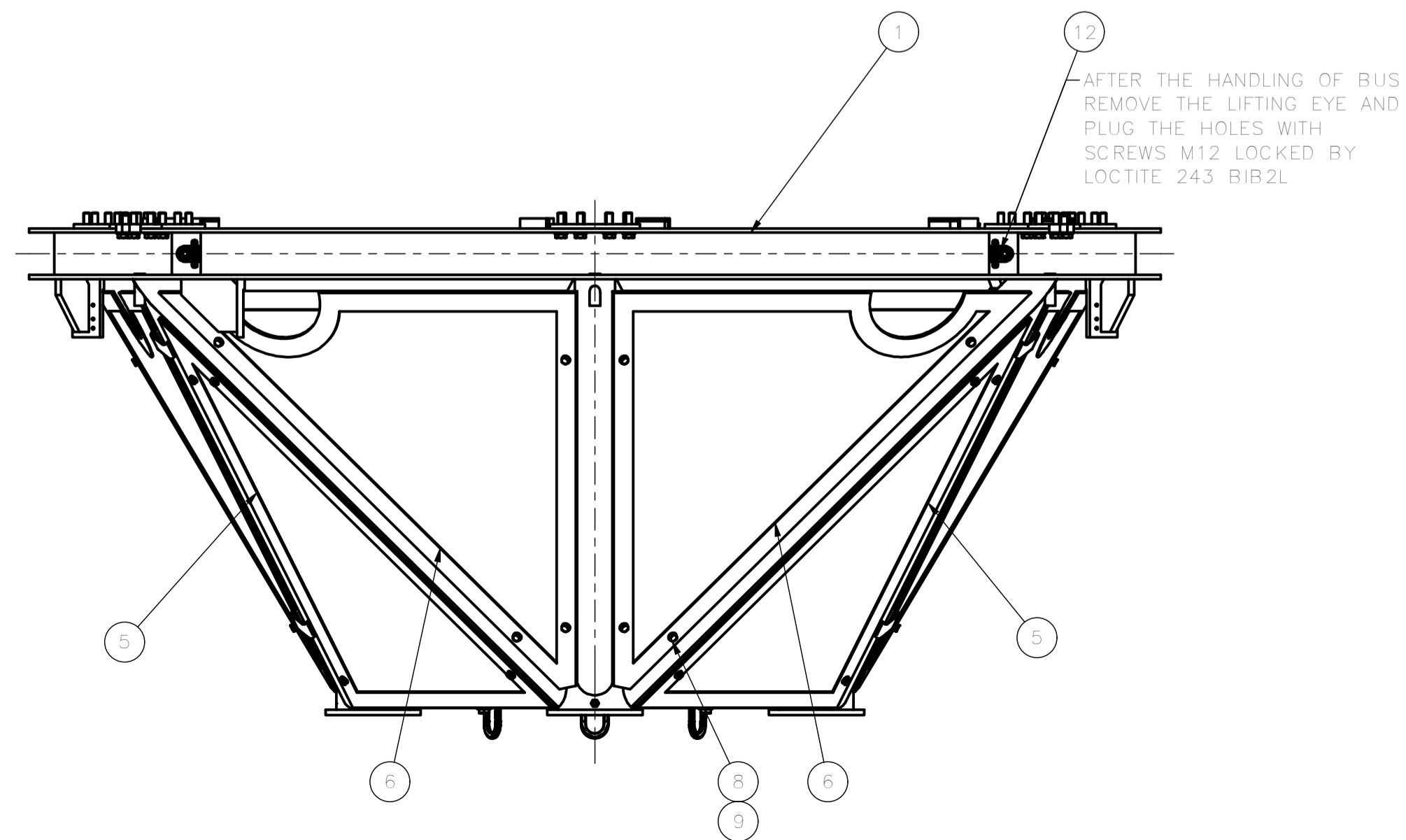
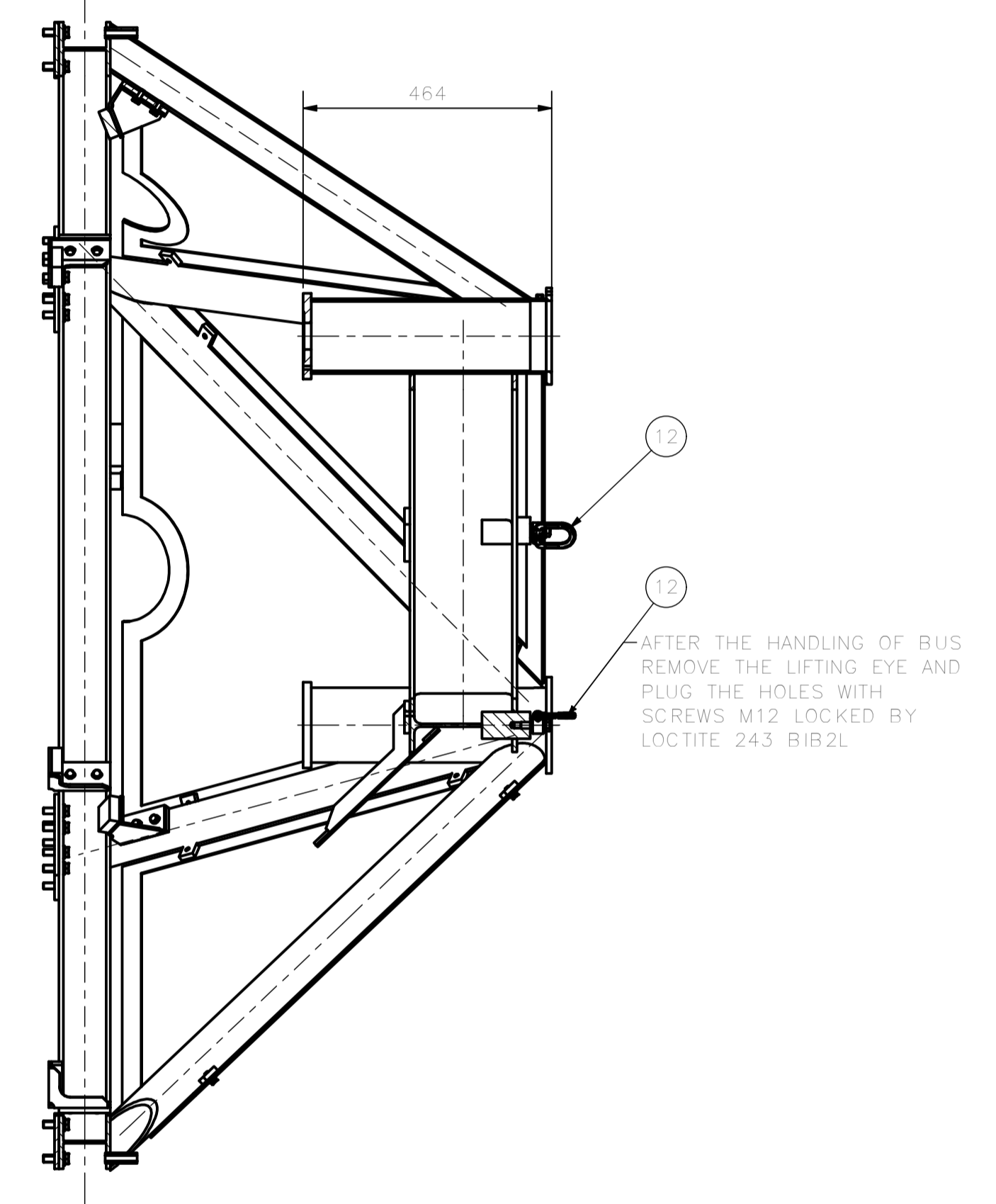


SECTION A-A
1 : 10



Item	Code	Description	Qty	Material	Mass
16	7124-000-04-00	Rubber Pad	9	EPDM Rubber	0,051 kg
14	7124-000-03-00	Upper Soft Pad Support	3	Welded construction steel S355J2C3 EN10027	0,584 kg
13	7124-000-02-00	Lower Soft Pad Support	6	Welded construction steel S355J2C3 EN10027	0,487 kg
12	VLRG-PLUS-1,35L_M12	Lifting eye bolt RUD	5		0,325 kg
11	ISO 4017 - M12 x 40	Hexagon head screws	48	Cl. 8,8 galvanized	0,051 kg
10	ISO 8735 - 12 x 35 - A	Pin with crown and internal thread, through hardened steel	3	ST	0,027 kg
9	ISO 7089 - 8	Plain washers	54	HV200 galvanized	0,002 kg
8	ISO 4017 - M8 x 20	Hexagon head screws	54	Cl. 8,8 galvanized	0,014 kg
7	ISO 7089 - 12	Plain washers	48	HV200 galvanized	0,006 kg
6	7124-000-09-00	M2 shield 5	2	Welded EN AW-5083	3,291 kg
5	7124-000-08-00	M2 shield 4	2	Welded EN AW-5083	3,215 kg
4	7124-000-07-00	M2 shield 3	2	Welded EN AW-5083	3,695 kg
3	7124-000-06-00	M2 shield 2	2	Welded EN AW-5083	3,692 kg
2	7124-000-05-00	M2 shield 1	1	Welded EN AW-5083	3,224 kg
1	7124-000-01-00	M2 BUS Main Structure	1	Welded construction steel S355J2C3 EN10027	286,627 kg

EIE GROUP via Torino 151A - Mestre Venezia - 30172 - ITALY tel. +39 041 5317906 - www.eie.it		ASTRI ASTRI mini-array - CTA Small Size Telescope prototypes	
Material:	Surface:	Tolerances according to: ISO 2768-1-m ISO 2768-2-k	Roughness: Compressa/Job no.: G0113
Status:	Mass: 328,06 kg	Scale: 1:10	Naming: Electro Mechanics Optical Support Structure M2 Back up Structure
Date: 31/01/2017 Name: ABU Designed: 31/01/2017 Checked: 10/04/2018 Approved: 12/04/2018		Drawing N.: 7124-000-00-00 Sheet: 1/1	
Drawing size: A1 File name: M2 BUS.lam		ALL RIGHTS BELONG TO EIE GROUP S.p.A. NO COPIES, REPRODUCTION OR DISSEMINATION ARE PERMITTED.	