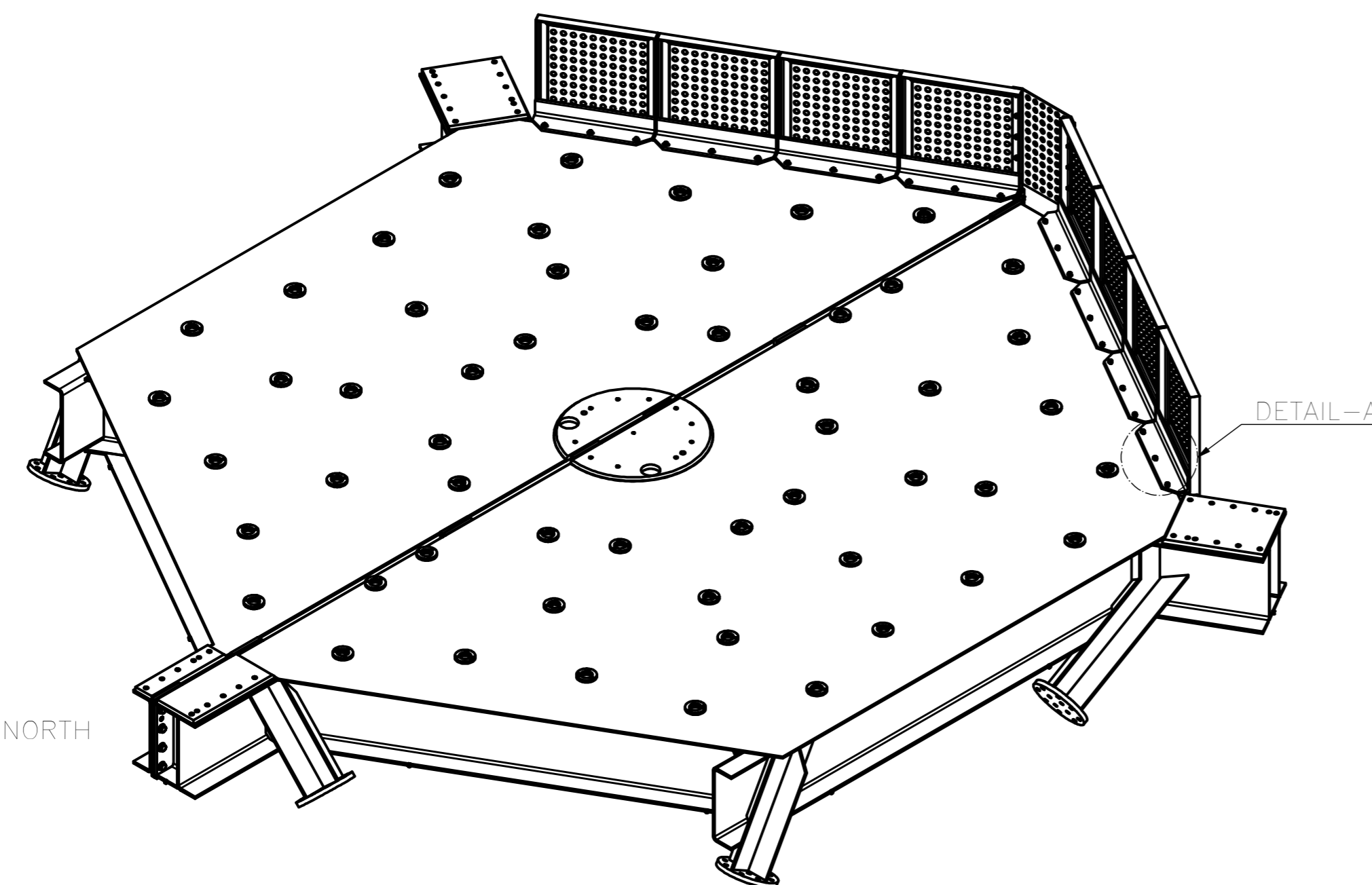
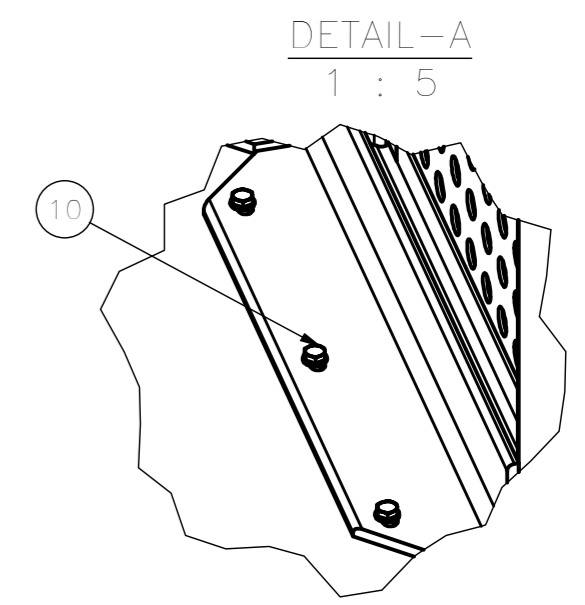
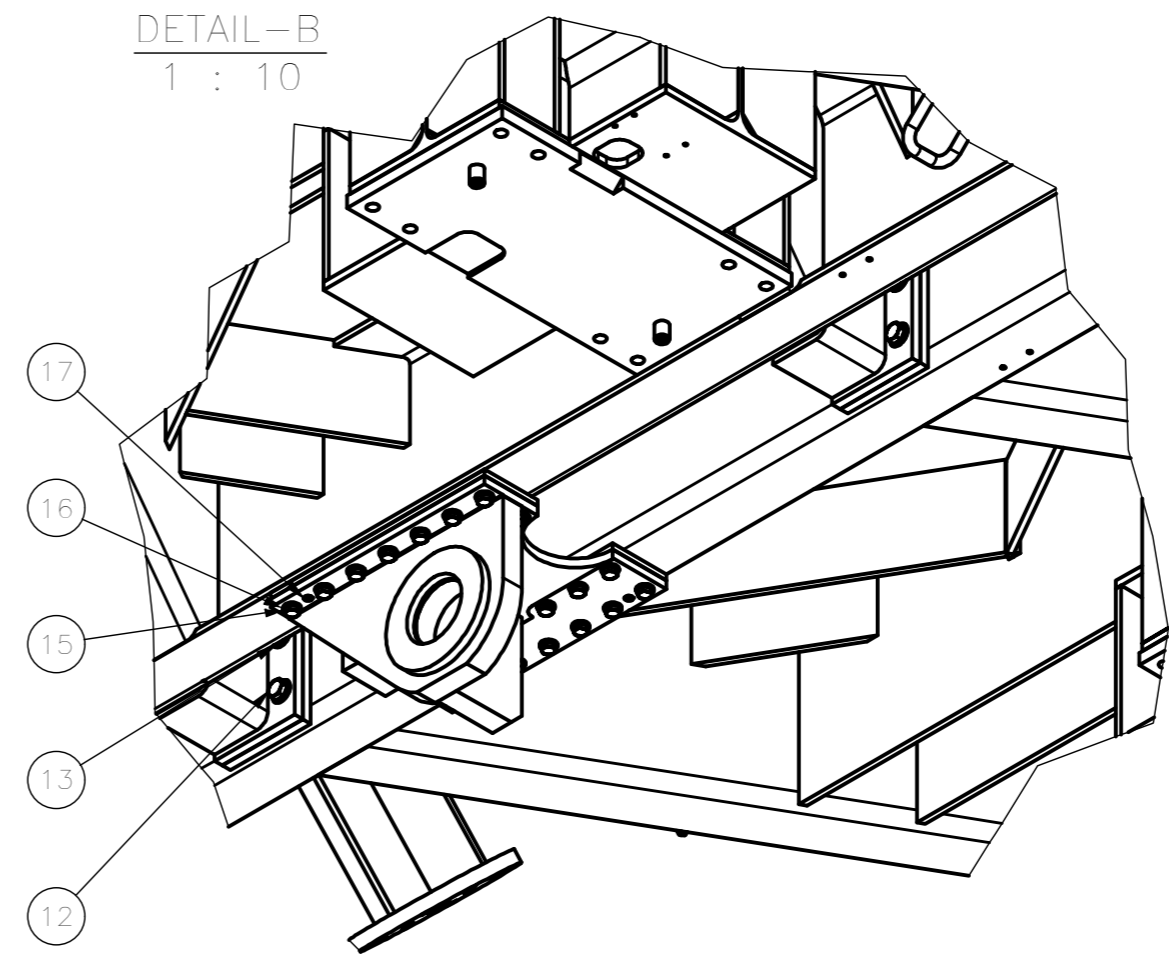


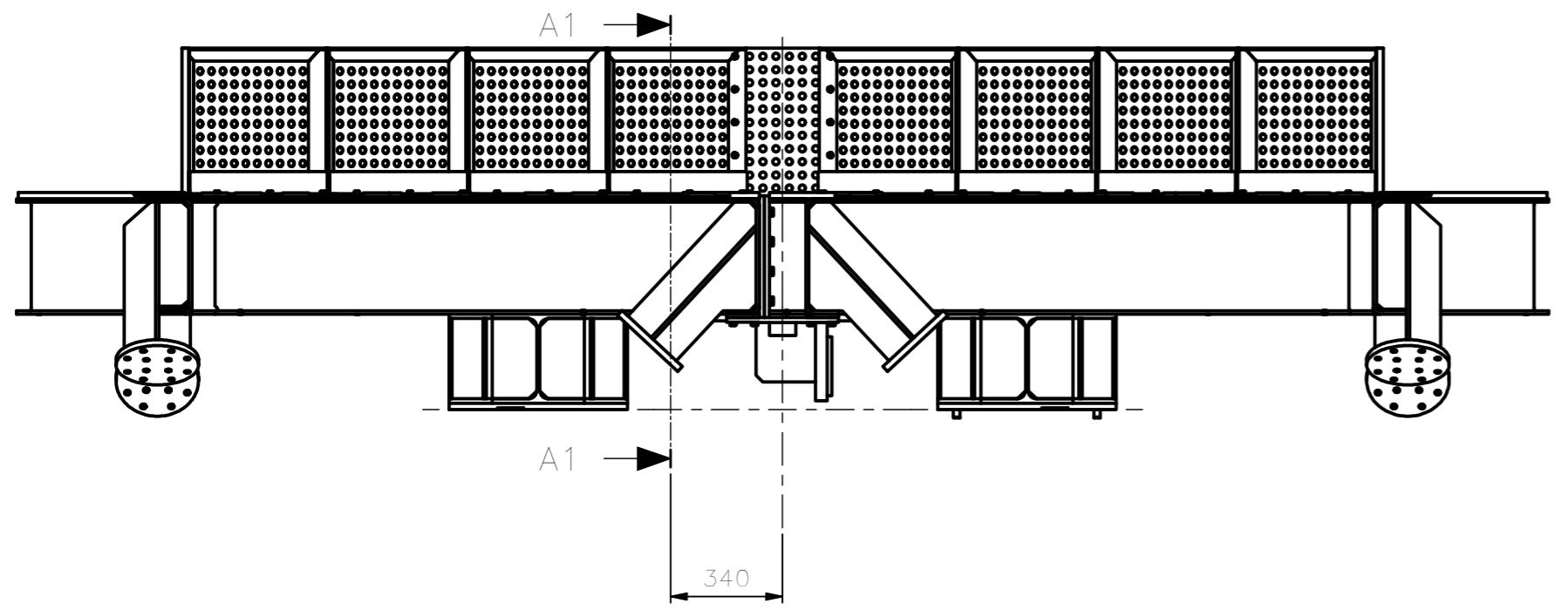
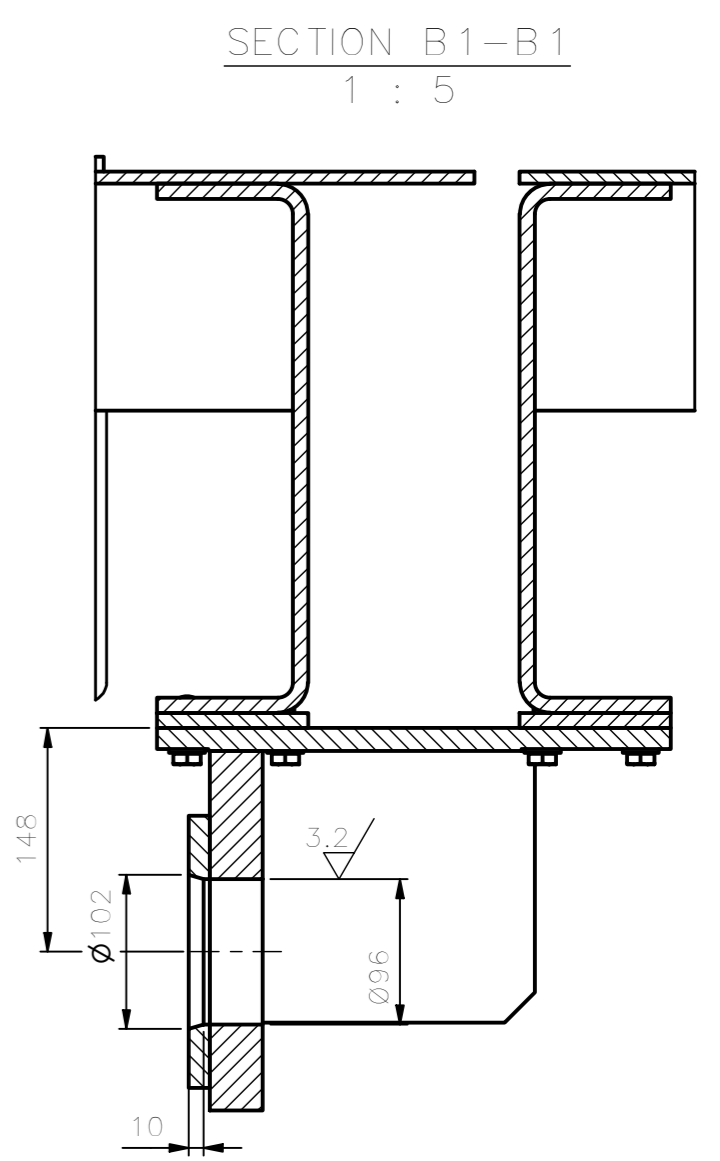
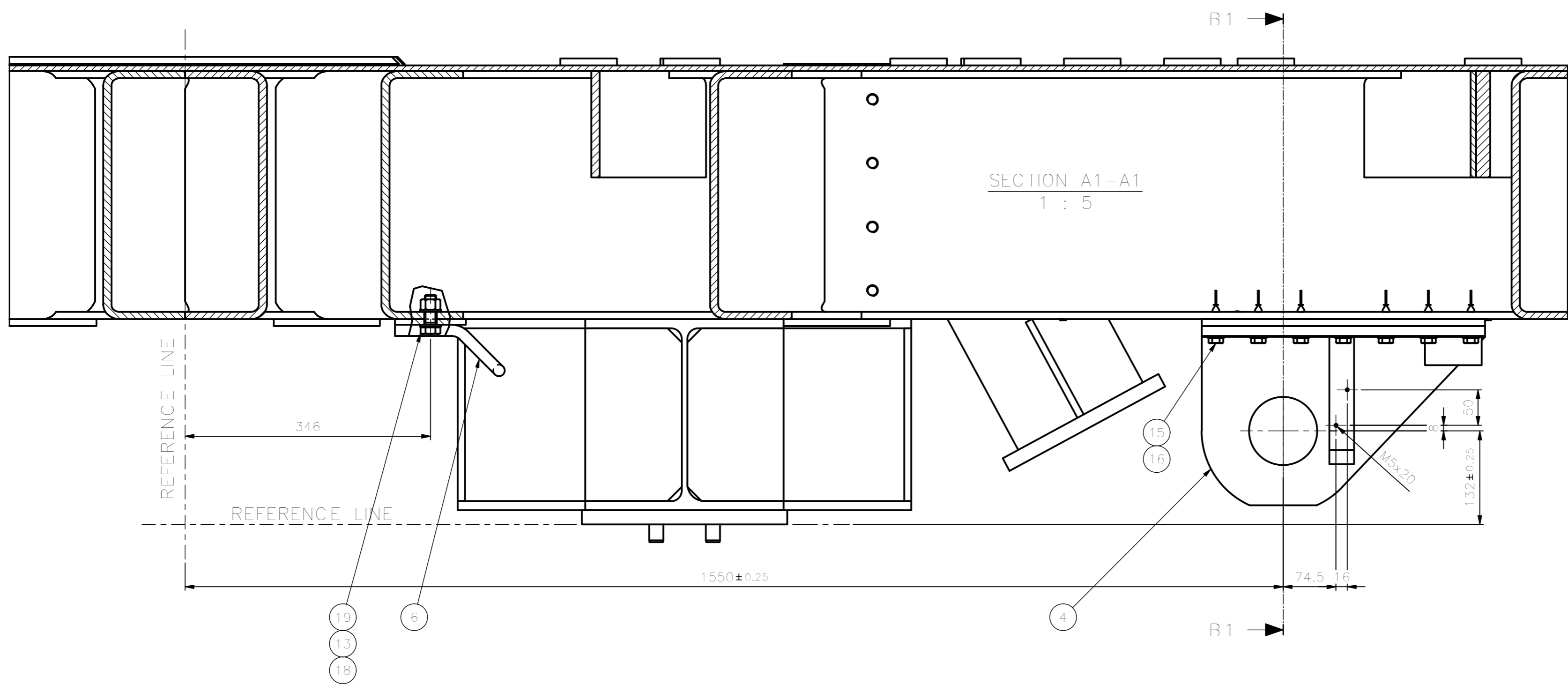
ISOMERIC VIEW



DETAIL-A

20	ISO 8735 - 20 x 50 - A	Pin with crown and internal thread, through hardened steel	2	Steel HRC 60	0,106 kg
19	ISO 4017 - M16 x 45	Hexagon head screws	1	Cl. 8.8 Galvanized	0,108 kg
18	ISO 4032 - M16	Hexagon nuts	1	Cl. 8 Galvanized	0,040 kg
17	ISO 8735 - 12 x 35 - A	Pin with crown and internal thread, through hardened steel	2	Steel HRC 60	0,027 kg
16	ISO 7089 - 12	Plain washers	26	HV 200 Galvanized	0,006 kg
15	ISO 4017 - M12 x 35	Hexagon head screws	26	Cl. 8.8 Galvanized	0,046 kg
14	ISO 8735 - 16 x 40 - A	Pin with crown and internal thread, through hardened steel	2	Steel HRC 60	0,054 kg
13	ISO 7089 - 16	Plain washers	58	HV 200 Galvanized	0,012 kg
12	ISO 4017 - M16 x 40	Hexagon head screws	56	Cl. 8.8 Galvanized	0,100 kg
11	ISO 4017 - M8 x 40	Hexagon head screws	2	Cl. 8.8 Galvanized	0,021 kg
10	ISO 4017 - M8 x 30	Hexagon head screws	40	Cl. 8.8 Galvanized	0,017 kg
9	ISO 4032 - M8	Hexagon nuts	64	Cl. 8 Galvanized	0,006 kg
8	ISO 7089 - 8	Plain washers	128	HV 200 Galvanized	0,002 kg
7	ISO 4017 - M8 x 25	Hexagon head screws	22	Cl. 8.8 Galvanized	0,015 kg
6	7121-000-06-00	Chain Hoist Hooking	1	Welded construction steel S355J0 EN10027	1,238 kg
5	7121-000-05-00	M1 Central Shield	1	Welded construction steel S355J0 EN10027	3,636 kg
4	7121-000-03-00	EI Stow Pin Bush Support	1	Construction steel S355J0 EN10027	43,267 kg
3	7121-000-04-00	M1 Shield	8	Welded construction steel S355J0 EN10027	14,013 kg
2	7121-000-02-00	M1 Dish Right	1	Construction steel S355J0 EN10027	1916,505 kg
1	7121-00-01-00		1	Construction steel S355J0 EN10027	1847,166 kg
Item	Code	Description	Q.ty	Material	Mass

		EIE GROUP via Torino 151A - Mestre Venezia - 30172 - ITALY tel. +39 041 5317906 - www.eie.it			
Material:		Surface:		Tolerances according to: ISO 2768/1-m ISO 2768/2-k	
Status:		Mass: 3933,75 kg		Roughness: Comnessa/Job no.: G0113	
Designed: 16/04/2018		Date: 04.03.21		Naming: Electro Mechanics Optical Support Structure M1 Dish	
Checked: 23/04/2018		Name: NAN		Drawing N. 7121-000-00-00	
Approved: 24/04/2018		Name: ABU		Sheet: 1/3	
Rev. Modification Name Date		Date: 24/04/2018		Drawing size: A2	
Rev. Modification Name Date		Date: 24/04/2018		Drawing size: A2	
ALL RIGHTS BELONG TO EIE GROUP Srl NO COPIES, REPRODUCTION OR DISSEMINATION ARE PERMITTED.				Filename: M1 Dish.iam	



NOTES:

- * 15mm IS THE NOMINAL DIMENSION AFTER MACHINING
SEE THE FINAL TOLLERANCE 658 ± 0.5 ON SECTION A-A
- 1) THE TOLERANCE OF ALL DIMENSIONS REFERRED TO HOLES ARE ± 0.2 mm
(IF NOT DEFINED ON THE DRAWING).
- 2) NOT DIMENSIONED CHAMFER 0.5x45°.
- 3) NOT DIMENSIONED FILLET R=0.5
- 4) THE SURFACES NOT MACHINED MUST BE COATED
WITH PAINTING TYPE RAL 3016 UNLESS OTHERWISE SPECIFIED
- 5) AFTER MACHINING AND COATING COUPLE WITH ITEMS 03 AND 04
- 6) APPLY TORQUE TO BOLTS AS PER STANDARD CODES AND MARK
THE POSITION AFTER TIGHTENING

		EIE GROUP via Torino 151A - Mestre Venezia - 30172 - ITALY tel. +39 041 5317906 - www.eie.it				ASTRI mini-array - CTA Small Size Telescope prototypes													
Material:	Surface:	Tolerances according to: ISO 2768/1-m ISO 2768/2-k	Roughness:	Commissa/Job no.:		G0113													
Status:	Mass: 3933.75 kg	Scale: 1:5	Naming: Electro Mechanics Optical Support Structure M1 Dish																
<table border="1"> <tr> <td>Designed</td> <td>16/04/2018</td> <td>Name:</td> <td>NAN</td> </tr> <tr> <td>Checked</td> <td>23/04/2018</td> <td>ABU</td> <td></td> </tr> <tr> <td>Approved</td> <td>24/04/2018</td> <td>GPM</td> <td></td> </tr> </table>		Designed	16/04/2018	Name:	NAN	Checked	23/04/2018	ABU		Approved	24/04/2018	GPM		Drawing N.		Drawing size:		A2	
Designed	16/04/2018	Name:	NAN																
Checked	23/04/2018	ABU																	
Approved	24/04/2018	GPM																	
<table border="1"> <tr> <td>Rev.</td> <td>Modification</td> <td>Name</td> <td>Date</td> </tr> <tr> <td>A</td> <td>First issue</td> <td>ACA</td> <td>04.03.21</td> </tr> </table>		Rev.	Modification	Name	Date	A	First issue	ACA	04.03.21	Drawing size:		A2		Sheet: 2 / 3					
Rev.	Modification	Name	Date																
A	First issue	ACA	04.03.21																
ALL RIGHTS BELONG TO EIE GROUP Srl NO COPIES, REPRODUCTION OR DISSEMINATION ARE PERMITTED.				Filename: M1 Dish.iam															

