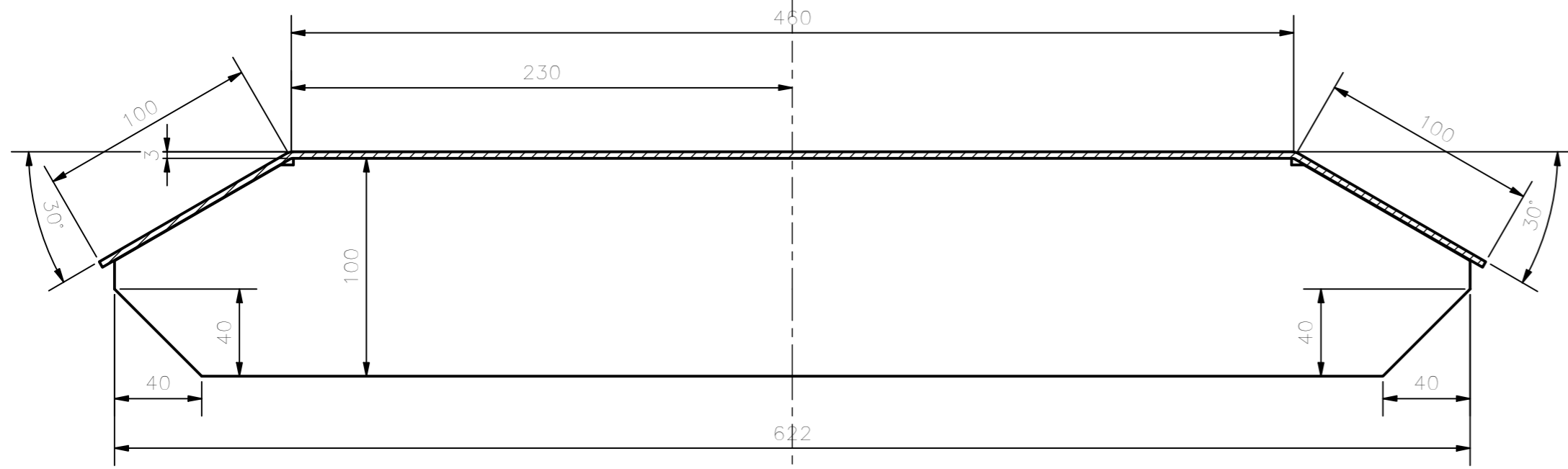
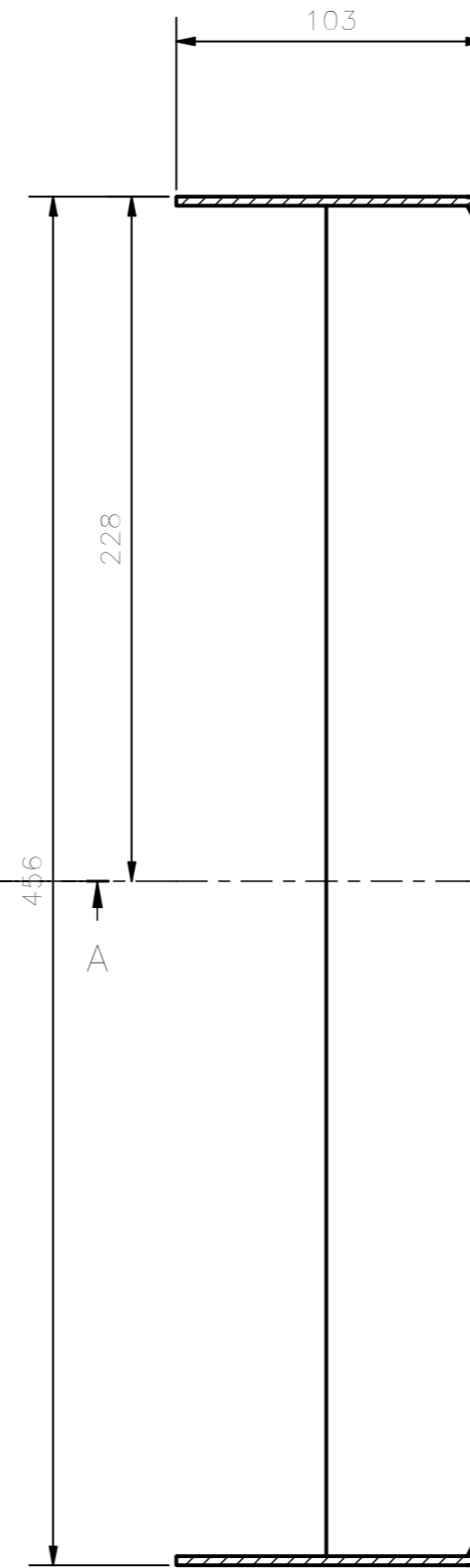


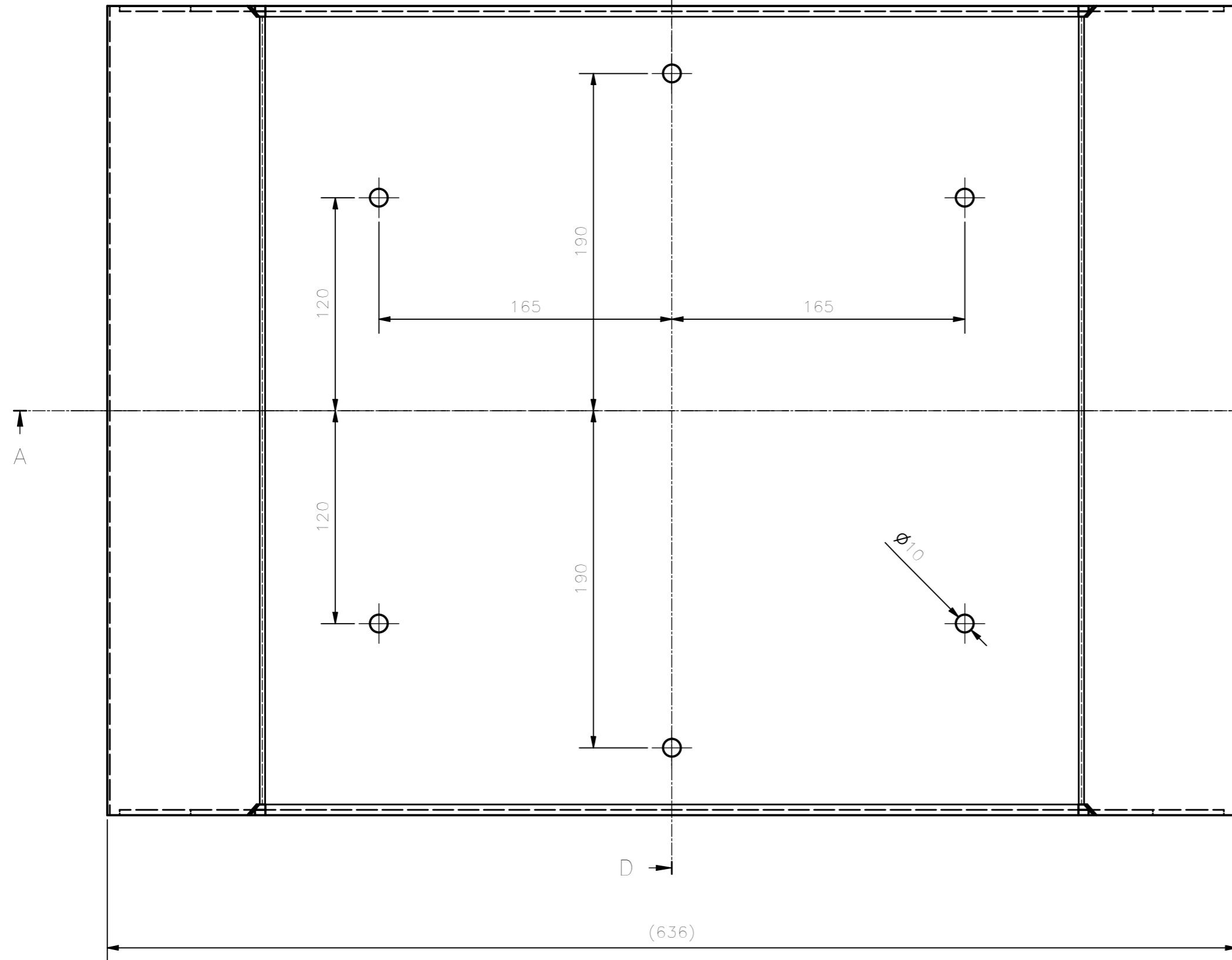
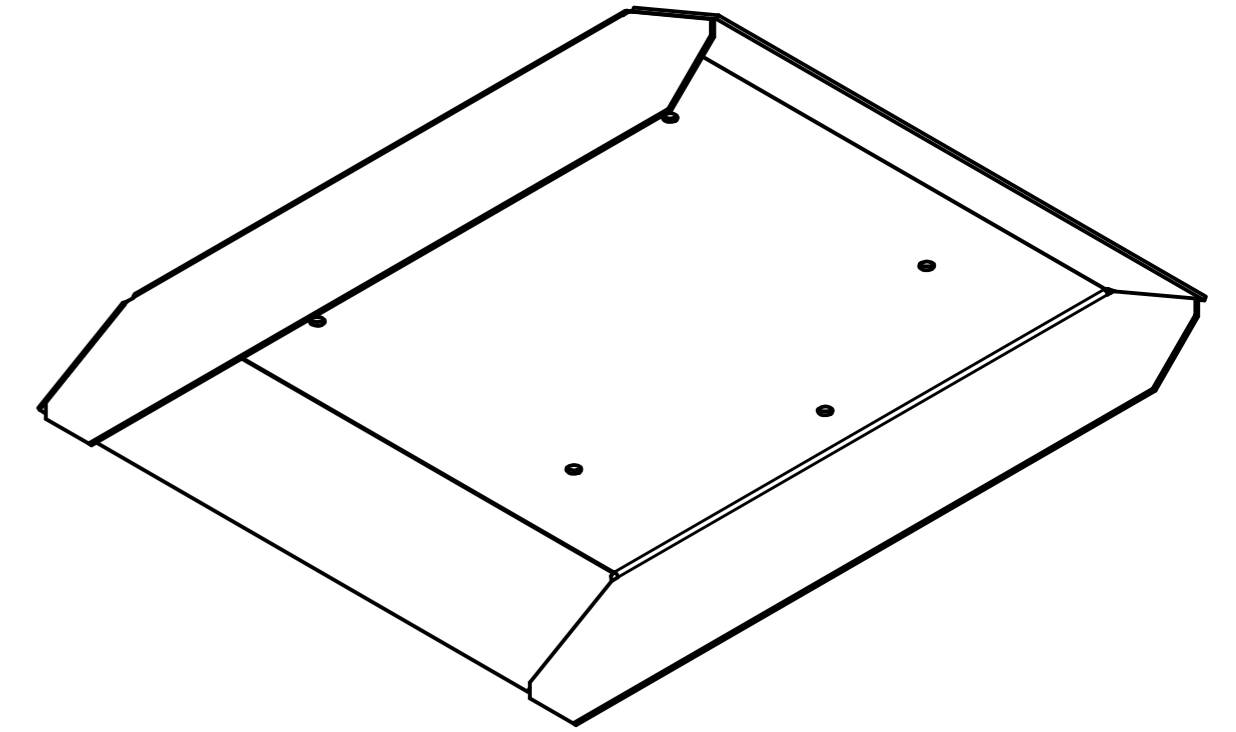
SECTION A-A  
1 : 2.5






SECTION D-D  
1 : 2.5



ISOMETRIC VIEW



NOTE:  
DEBURRING OF NOT DIMENSIONED EDGES ARE STRICTLY REQUIRED.  
THE SURFACES NOT MACHINED MUST BE COATED WITH PAINTING TYPE RAL 3016.

 <b>EIE GROUP</b> via Torino 151A - Mestre Venezia - 30172 - ITALY tel. +39 041 5317906 - www.eie.it		  <b>ASTRI mini-array - CTA Small Size Telescope prototypes</b>			
Material: Construction steel S355J0 EN10027	Surface:	Tolerances according to: ISO 2768/1-m ISO 2768/2-k	Roughness:	Commissa/Job no.:	 VIEWS AND SECTIONS ARE TO BE WORKED WITH REFERENCE TO EUROPEAN DWG SYSTEM
Status:		Mass: 9,72 kg	Scale: 1:2.5	G0113	
		Date:	Name:	Naming: AZ Fork	
		Designed 20/01/2018	ACA	AZ & EL Cable Wraps	
		Checked 10/02/2018	AB	EL Cable Wraps	
		Approved 10/02/2018	GPM	AZ fork cable box cover	
		Drawing size: A2		Drawing N.	Sheet: 1 / 1
				7113-621-02-00	
ALL RIGHTS BELONG TO EIE GROUP Srl NO COPIES, REPRODUCTION OR DISSEMINATION ARE PERMITTED.				Filename: AZ fork cable box cover 1.ipt	