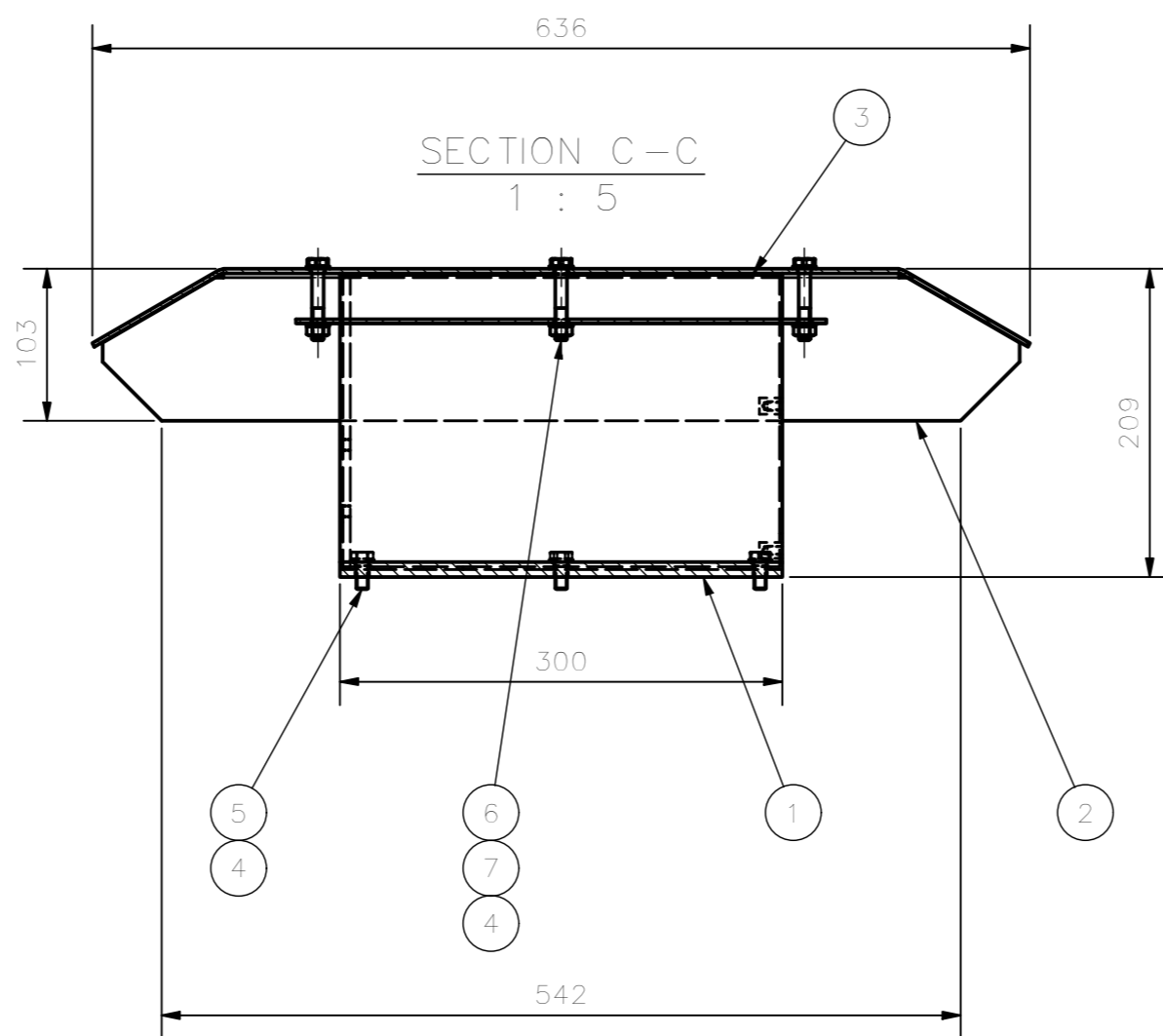
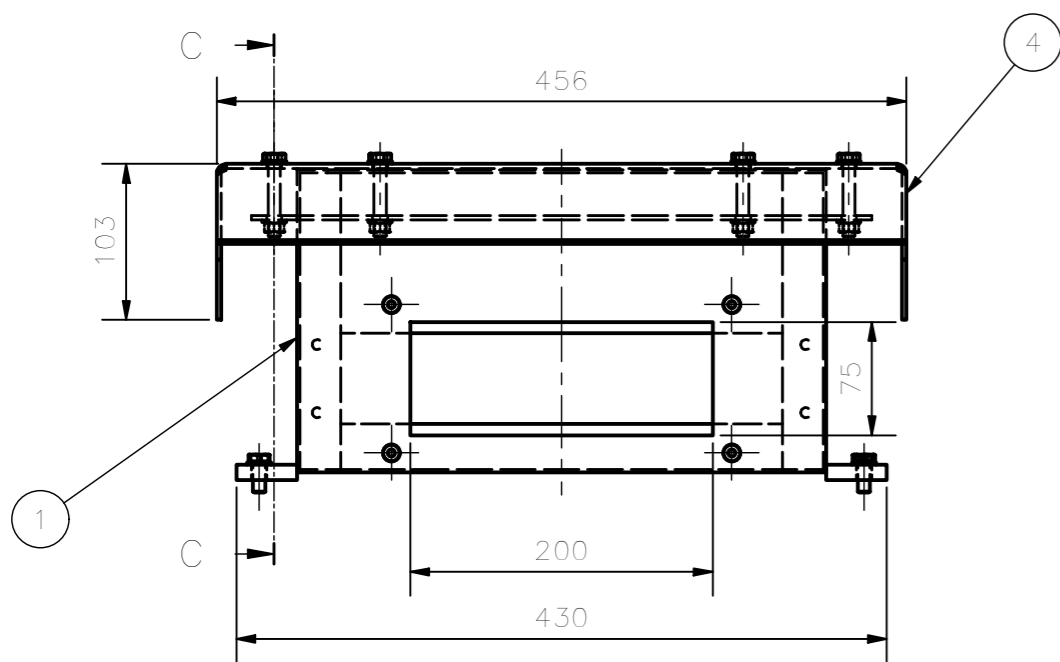
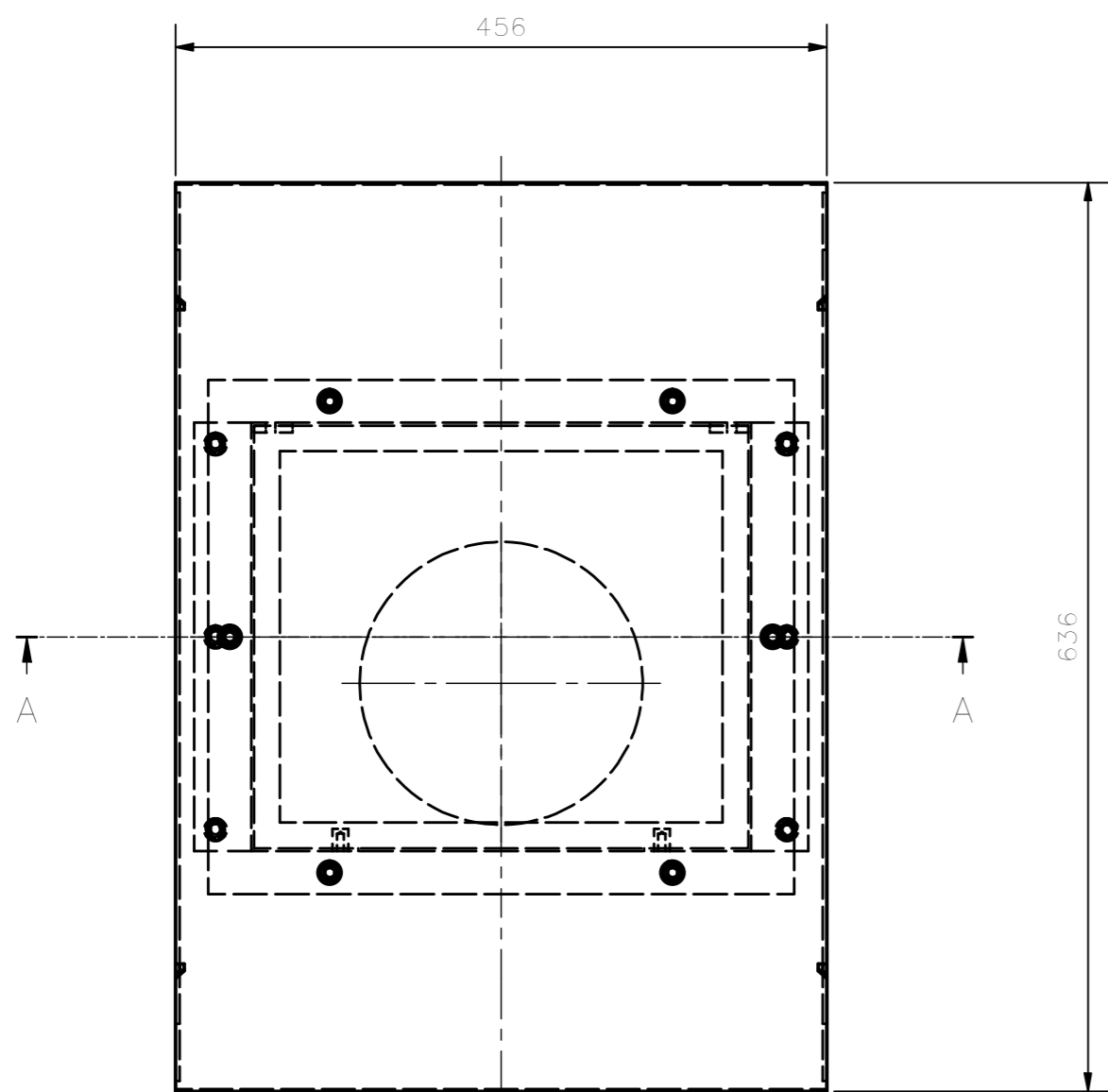
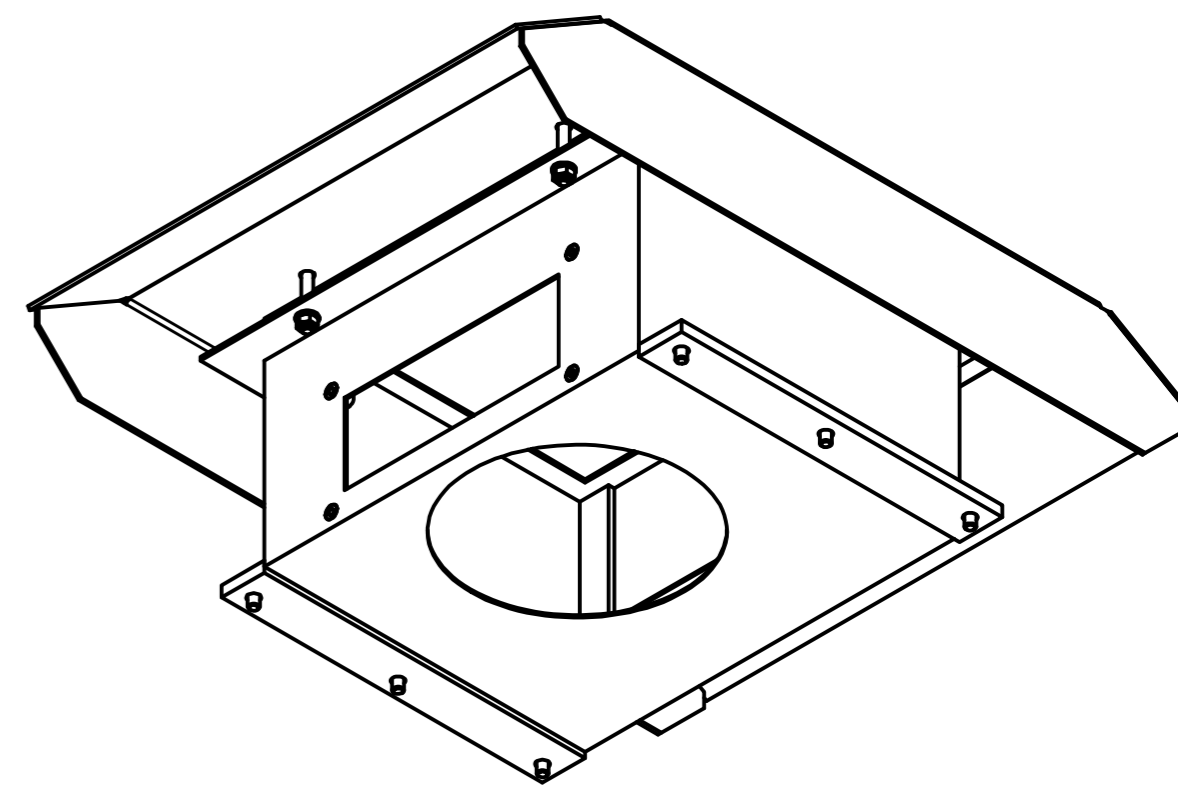


SECTION A-A  
1 : 5



SECTION C-C  
1 : 5



7	ISO 4032 - M8	Hexagon nuts	6	Cl. 8 Galvanized	0,006 kg
6	ISO 4014 - M8 x 50	Hexagon head bolt	6	Cl. 8.8 Galvanized	0,025 kg
5	ISO 4017 - M8 x 20	Hexagon head screws	6	Cl. 8.8 Galvanized	0,014 kg
4	ISO 7089 - 8	Plain washers	18	HV 200 Galvanized	0,002 kg
3	7113-621-03-00	AZ Fork cable box gasket	1	Silicone	0,031 kg
2	7113-621-02-00	AZ fork cable box cover	1	Construction steel S355J0 EN10027	9,720 kg
1	7113-621-01-00	AZ fork cable box base	1	Construction steel S355J0 EN10027	8,293 kg
Item	Code	Description	Q.ty	Material	Mass




**EIE GROUP**

via Torino 151A - Mestre  
Venezia - 30172 - ITALY  
tel. +39 041 5317906 - www.eie.it



**ASTRI mini-array - CTA Small Size Telescope prototypes**

Material:	Surface:	Tolerances according to: ISO 2768/1-m ISO 2768/2-k	Roughness:	Commissa/Job no.:	 <small>VEWS AND SECTIONS ARE TO BE WORKED WITH REFERENCE TO EUROPEAN DWG SYSTEM</small>																
Status:	Mass: 18,34 kg	Scale: 1:5	Naming: AZ Fork AZ & EL Cable Wraps EL Cable Wraps Fork cable wrap box																		
<table border="1"> <thead> <tr> <th>Rev.</th> <th>Modification</th> <th>Name</th> <th>Date</th> </tr> </thead> <tbody> <tr> <td>A</td> <td>First issue</td> <td>ACA</td> <td>04.03.21</td> </tr> </tbody> </table>		Rev.	Modification	Name	Date	A	First issue	ACA	04.03.21	Date: 10/04/2018	Name: GPM	Drawing N.:	Sheet: 1 / 1								
Rev.	Modification	Name	Date																		
A	First issue	ACA	04.03.21																		
<table border="1"> <thead> <tr> <th>Rev.</th> <th>Modification</th> <th>Name</th> <th>Date</th> </tr> </thead> <tbody> <tr> <td></td> <td>Designed</td> <td></td> <td>10/04/2018</td> </tr> <tr> <td></td> <td>Checked</td> <td>ABU</td> <td>16/04/2018</td> </tr> <tr> <td></td> <td>Approved</td> <td>GPM</td> <td>17/04/2018</td> </tr> </tbody> </table>		Rev.	Modification	Name	Date		Designed		10/04/2018		Checked	ABU	16/04/2018		Approved	GPM	17/04/2018	Drawing size: A2	7113-621-00-00		Filename: AZ fork cable box.iam
Rev.	Modification	Name	Date																		
	Designed		10/04/2018																		
	Checked	ABU	16/04/2018																		
	Approved	GPM	17/04/2018																		
ALL RIGHTS BELONG TO EIE GROUP Srl NO COPIES, REPRODUCTION OR DISSEMINATION ARE PERMITTED.																					