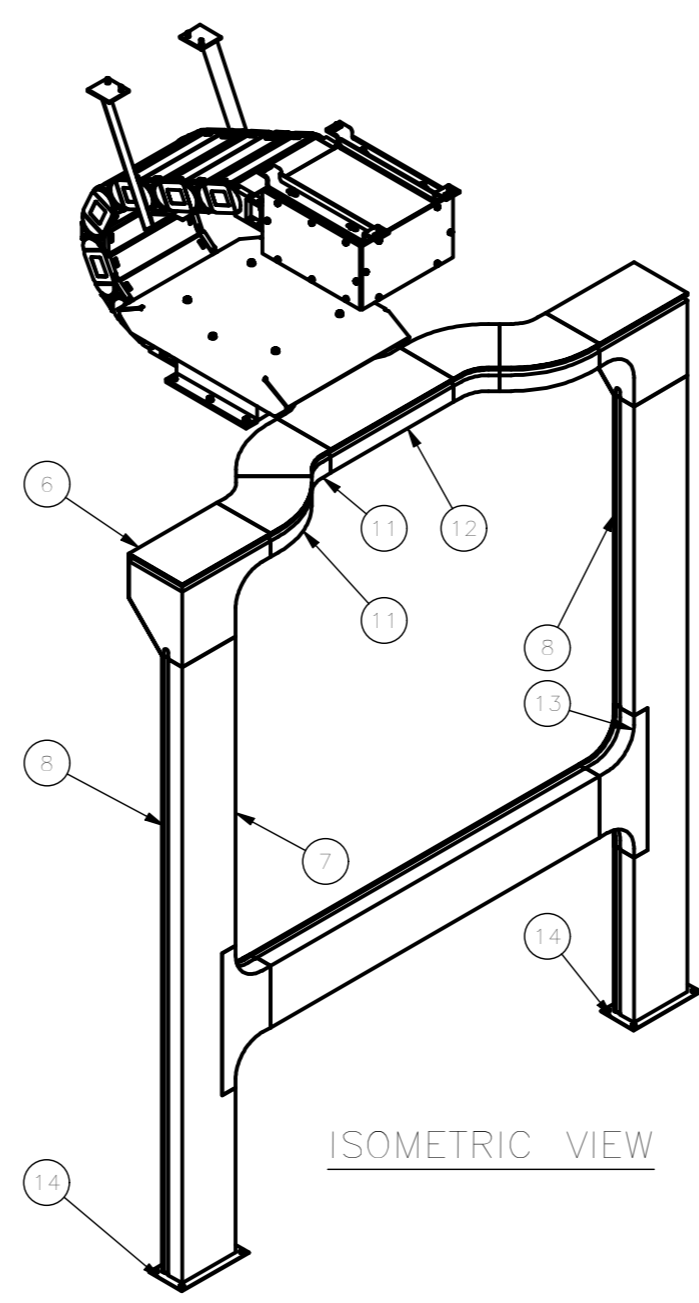
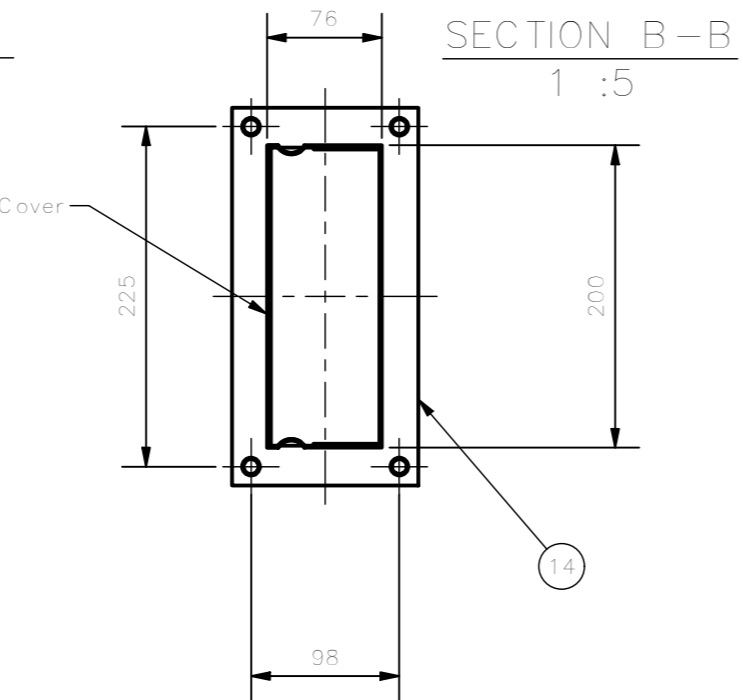
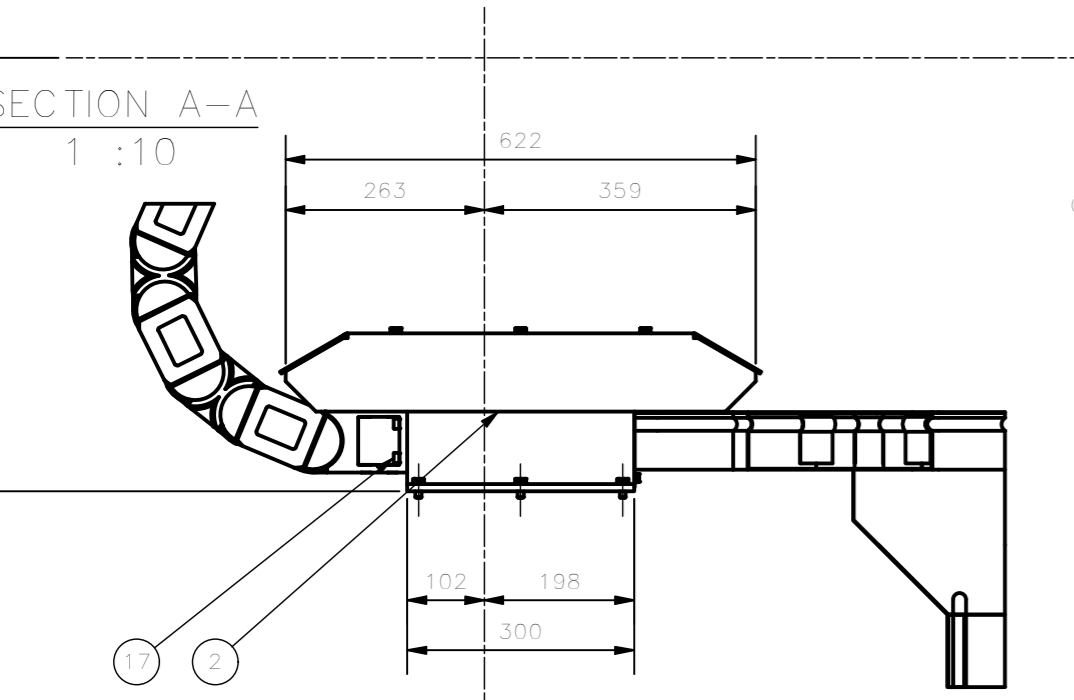
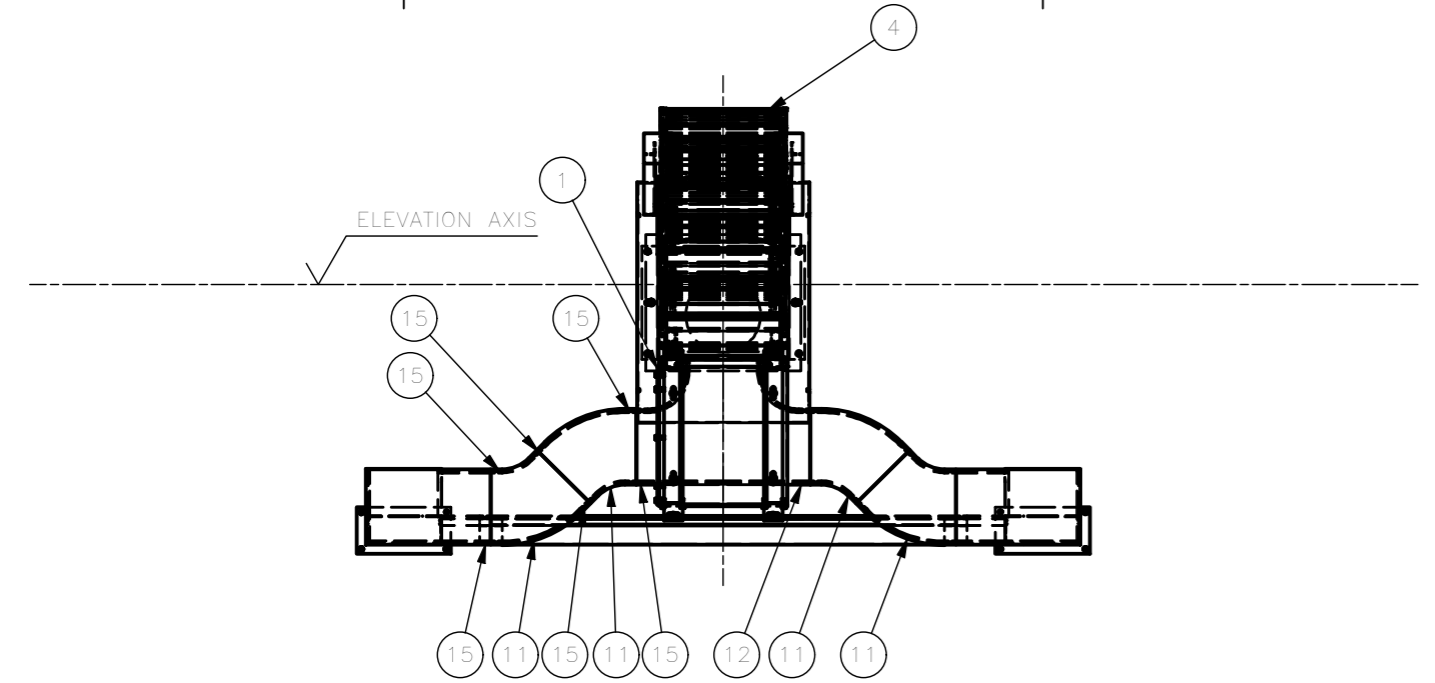


NOTE:
 FOR CABLE TRAYS REFER TO DRAWING D7133-100-00-00.
 FOR CABLE WRAPS MOUNTING REFER TO DRAWING D7113-000-00-00



Item	Code	Description	Q.ty	Material	Unit Mass
20	ISO 4017 - M8 x 20	Hexagon head screws	4	Cl. 8.8 Galvanized	0,014 kg
19	ISO 7089 - 8	Plain washers	4	200 HV Galvanized	0,002 kg
18	ISO 7089 - 6	Plain washer	12	200 HV Galvanized	0,001 kg
17	ISO 4762 - M8 x 20	Hexagon Socket Head Cap Screw	8	Cl. 8.8 Galvanized	0,015 kg
16	ISO 4017 - M6 x 12	Hexagon head screws	12	Cl. 8.8 Galvanized	0,005 kg
15	31X9CG71X	Tray joint BTICINO	24	Galvanized Steel	0,032 kg
14	31X9CL74Z	Fixing flange BTICINO	3	Galvanized Steel	0,179 kg
13	31AVC200Z	Tee side shunt with cover BTICINO	2	Galvanized Steel	1,104 kg
12	31ASC200Z	Tee with cover BTICINO	1	Galvanized Steel	2,531 kg
11	31AJC200Z	Elbow 45° with cover BTICINO	4	Galvanized Steel	0,977 kg
10	31L39200Z-L1230	Cable tray cover BTICINO	1	Galvanized Steel	2,378 kg
9	31C3C200Z-L1230	Cable tray BTICINO	1	Galvanized Steel	3,602 kg
8	31L39200Z-L1973	Cable tray cover BTICINO	2	Galvanized Steel	3,860 kg
7	31C3C200Z-L1973	Cable tray BTICINO	2	Galvanized Steel	5,846 kg
6	31AYC200Z	Left elbow down to 90° with floor variation BTICINO	1	Galvanized Steel	2,466 kg
5	31AZC200Z	Right elbow down to 90° with floor variation BTICINO	1	Galvanized Steel	2,466 kg
4	igus R4.56.30.150.0.1001.1	Cable wrap IGUS	1		8,107 kg
3	7113-620-01-00	Cable wrap Support	1	Welded construction steel S355J0 EN10027	3,821 kg
2	7113-621-00-00	Fork cable wrap box	1		18,344 kg
1	7113-624-00-00	M1 dish cable wrap box	1		12,990 kg

		EIE GROUP via Torino 151A - Mestre Venezia - 30172 - ITALY tel. +39 041 5317906 - www.eie.it			
ASTRI mini-array - CTA Small Size Telescope prototypes		Material: Surface: Tolerances according to: ISO 2768/1-m ISO 2768/2-k		Roughness: Comnessa/Job no.: G0113	
Status:		Mass: 82,28 kg		Scale: 1:20 1:10	
Date: 10/04/2018		Name: NAN		Naming: Mount Assembly	
Checked: 16/04/2018		Name: ABU		AZ & EL cable wraps	
Approved: 17/04/2018		Name: GPM		EL cable wraps	
Drawing size: A2		Drawing N.: 7113-620-00-00		Sheet: 1/1	
ALL RIGHTS BELONG TO EIE GROUP Srl NO COPIES, REPRODUCTION OR DISSEMINATION ARE PERMITTED.					
Filename: EL cable wraps.iam					