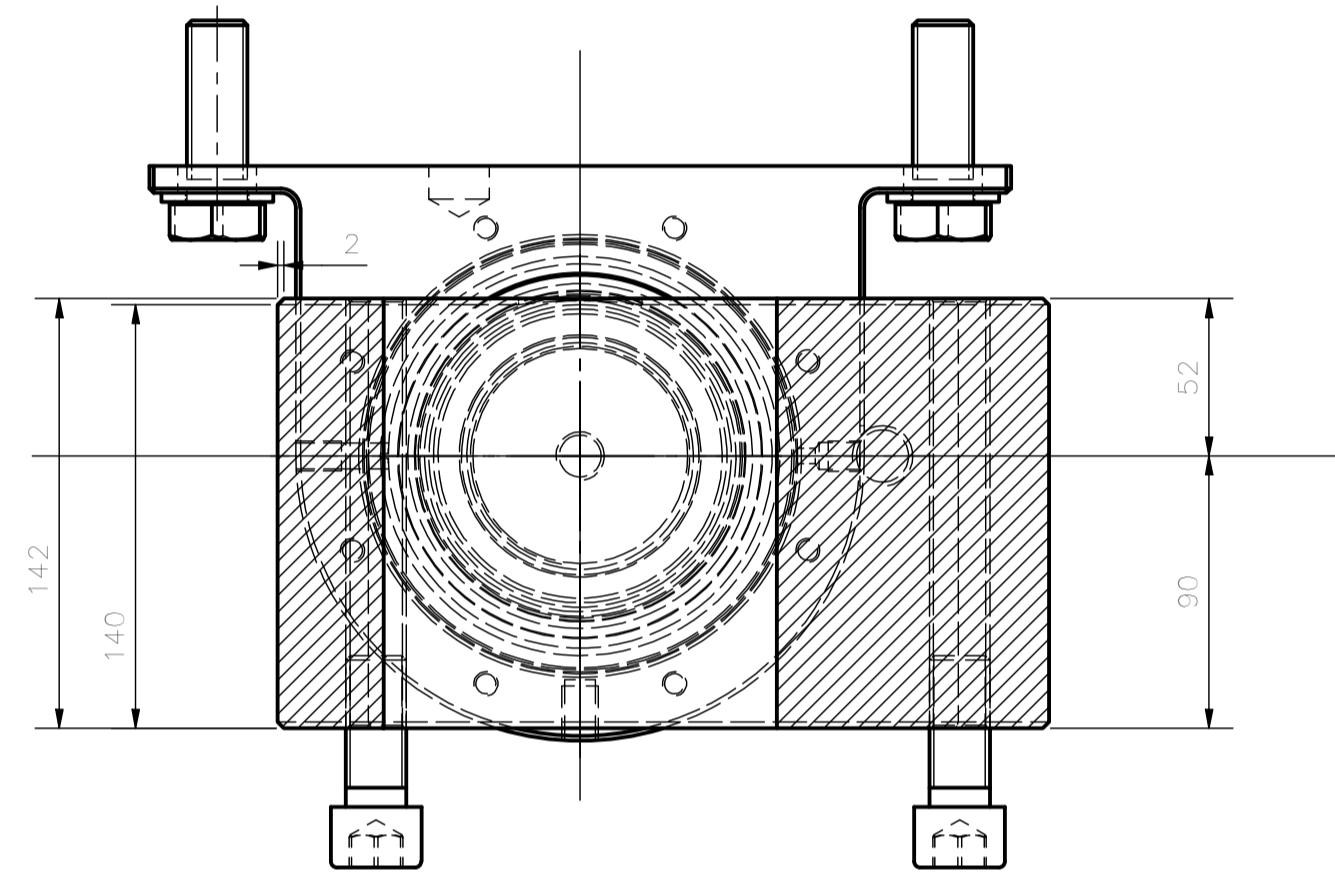


ISOMETRIC VIEW

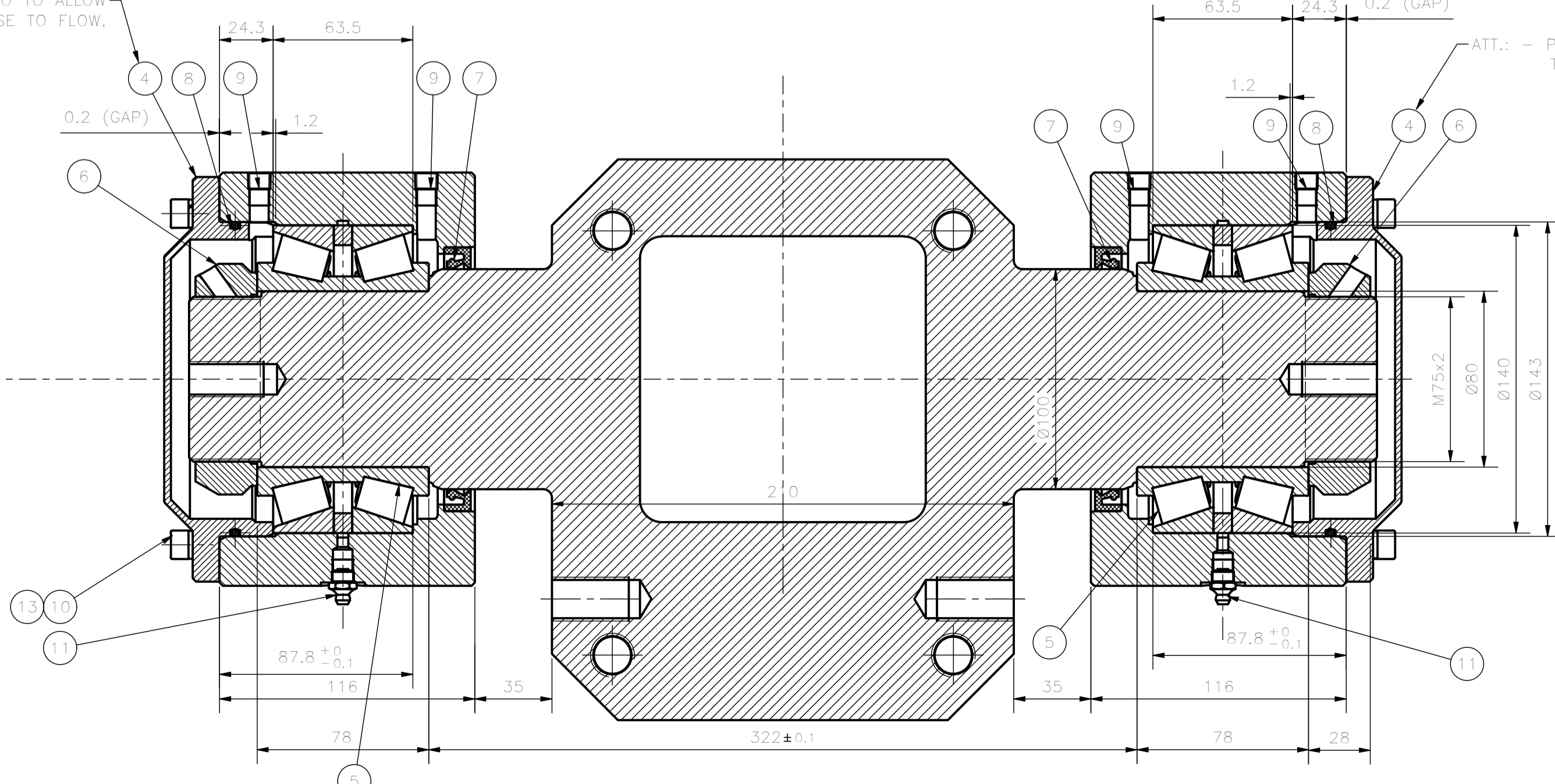


SECTION B-B
1 : 2.5

SECTION A-A
1 : 2

ATT.: - POSITION THE COVER SO TO ALLOW THE GREASE TO FLOW.

ATT.: - POSITION THE COVER SO TO ALLOW THE GREASE TO FLOW.



NOTES:

1) - REFERENCE SEE : ASTRI-DWG-GEC-7113-320-00-00.

Item	Code	Description	Q.ty	Material	Unit Mass
15	ISO 4762 - M20 x 50	Hexagon Socket Head Cap Screw	4	cl. 8,8 electro galvanized	0,206 kg
14	ISO 7089 - 20	Plain washers	8	HV 200 electro galvanized	0,017 kg
13	DIN 7980 - 8	Spring Washer	16	C70 electro galvanized	0,001 kg
12	ISO 4017 - M20 x 60	Hexagon head screws	8	cl. 8,8 electro galvanized	0,220 kg
11	DIN 71412 - AM10 x 1 coned short	Lubricating Nipple, coned Type A	2	cl. 5,6 electro galvanized	0,008 kg
10	ISO 4762 - M8 x 30	Hexagon Socket Head Cap Screw	16	cl. 8,8 electro galvanized	0,019 kg
9	Parker Countersunk Hex-Head Plug 219P 219P-2	Countersunk Hex-Head Plug 1/8 GAS	4	Brass	0,010 lb
8	AS 2842 - 253	Fluid power - O-Rings and housings - Inch series, metric conversion	2	NBR	0,004 kg
7	DIN 3760 - AS - 100 x 120 x 12 - NBR	Shaft Seal Ring	2	NBR	0,024 kg
6	KMT 15	Lock nut SKF	2		0,800 kg
5	32216T78 J2_QDRC110	Bearing SKF	2		4,450 kg
4	7113-322-04-00	ELA hinge cover	2	Construction steel S355J2G3 EN10027	2,200 kg
3	7113-322-03-00	ELA hinge support mirrored (3113-322-02-00 mirrored)	1	Steel 2C40 UNI EN ISO 683	20,742 kg
2	7113-322-02-00	ELA hinge support	1	Steel 2C40 UNI EN ISO 683	20,742 kg
1	7113-322-01-00	ELA lower hinge shaft	1	Steel 2C40 UNI EN ISO 683	52,773 kg

		EIE GROUP via Torino 151A - Mestre Venezia - 30172 - ITALY tel. +39 041 5317906 - www.eie.it			
ASTRI mini-array - CTA Small Size Telescope prototypes					
Material:	Surface:	Tolerances according to: ISO 2768-1-m ISO 2768-2-k	Roughness:	Commissa/Job no.: G0113	
Status:	Mass: 112,29 kg	Date: 09/04/2018	Scale: 1:2.5	Naming: AZ fork AZ & EL drives EL actuator ELA lower hinge	
	Designed: 16/04/2018	Name: NAN	Checked: 17/04/2018	Drawing N.:	
	Approved: 17/04/2018	ABU	Approved: 17/04/2018	Drawing N.:	
Drawing size: A1			7113-322-00-00		
ALL RIGHTS BELONG TO EIE GROUP S.p.A. NO COPIES, REPRODUCTION OR DISSEMINATION ARE PERMITTED.					
Filename: ELA lower hinge.iam				Sheet: 1/1	