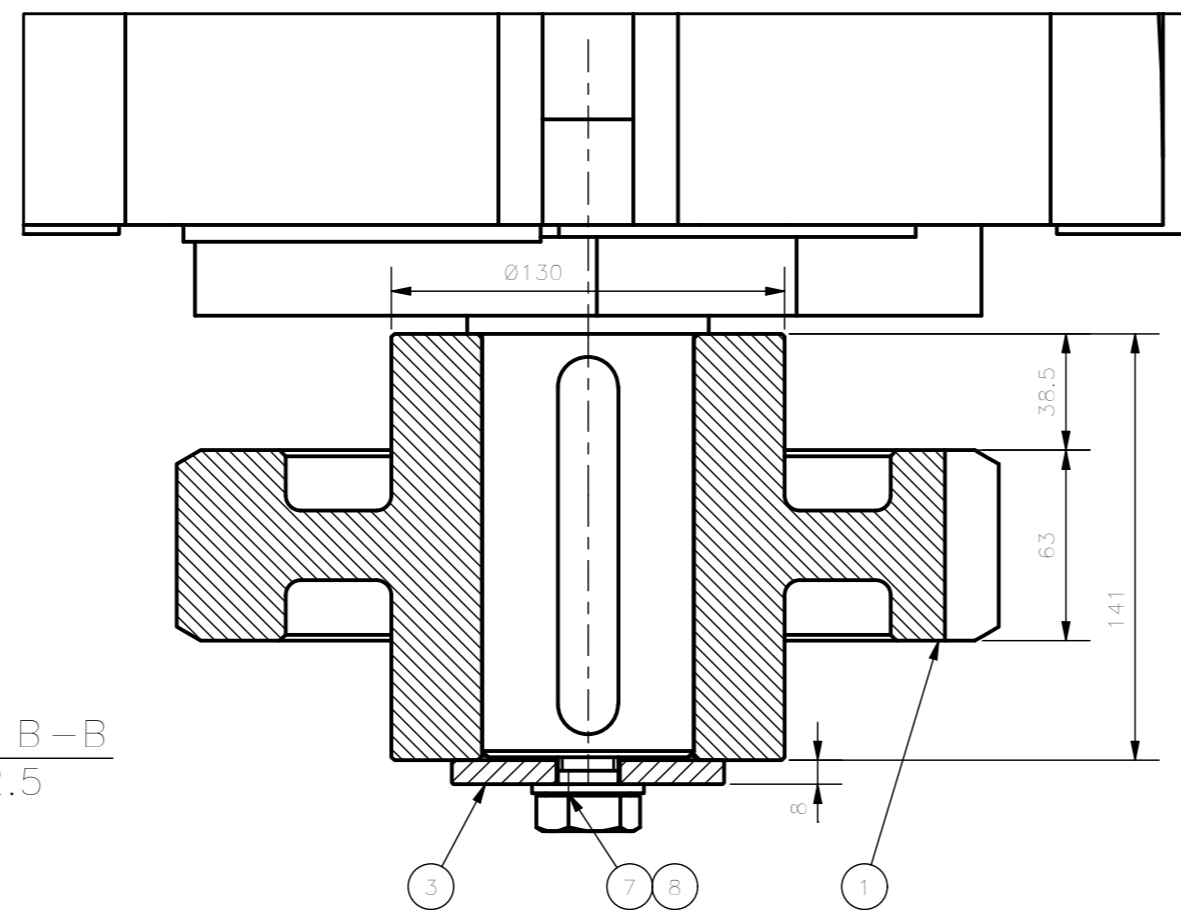


ISOMETRIC VIEW



SECTION B-B
1 : 2.5

Item	Code	Description	Q.ty	Material	Unit Mass
10	ISO 4017 - M10 x 30	Hexagon head screws	4	Cl. 8.8 ISO 7980 galvanized	0,029 kg
9	ISO 7089 - 10	Plain washers - Normal series	4	HV 200 ISO 7980 galvanized	0,004 kg
8	ISO 7089 - 20	Plain washers	5	HV 200 ISO 7980 galvanized	0,017 kg
7	ISO 4017 - M20 x 50	Hexagon head screws	1	Cl. 8.8 ISO 7980 galvanized	0,196 kg
6	ISO 4017 - M20 x 65	Hexagon head screws	4	Cl. 8.8 ISO 7980 galvanized	0,232 kg
5	F 70 4 R 280.9 P90 H5 LH VV CC AC	Reduction Gear Bonfiglioli	1		444,191 kg
4	B14N1x7CxPxPxx	Motor HDT	1		16,000 kg
3	7113-311-03-00	AZ motor fixing plate	1	Construction steel S355J0 EN10027	0,377 kg
2	7113-311-02-00	AZ motor shim	2	Construction steel S355J0 EN10027	0,547 kg
1	7113-311-01-00	AZ motor pinion	1	Steel 42CrMo4 UNI EN 10083-1	26,295 kg

		EIE GROUP via Torino 151A - Mestre Venezia - 30172 - ITALY tel. +39 041 5317906 - www.eie.it				ASTRI mini-array - CTA Small Size Telescope prototypes	
Material:	Surface:	Tolerances according to: ISO 2768/1-m ISO 2768/2-k	Roughness:	Commissa/Job no.: G0113			
Status:	Mass: 489.30 kg	Scale: 1:5	Naming: Mount assembly AZ fork AZ & EL drives AZ motor R				
Designed: 06/04/2018 Checked: 16/04/2018 Approved: 17/04/2018		Date: 04.03.21 Name: NAN ABU GPM		Drawing N. 7113-312-00-00		Sheet: 1/1	
ALL RIGHTS BELONG TO EIE GROUP Srl NO COPIES, REPRODUCTION OR DISSEMINATION ARE PERMITTED.				Filename: AZ Motor R.iam			