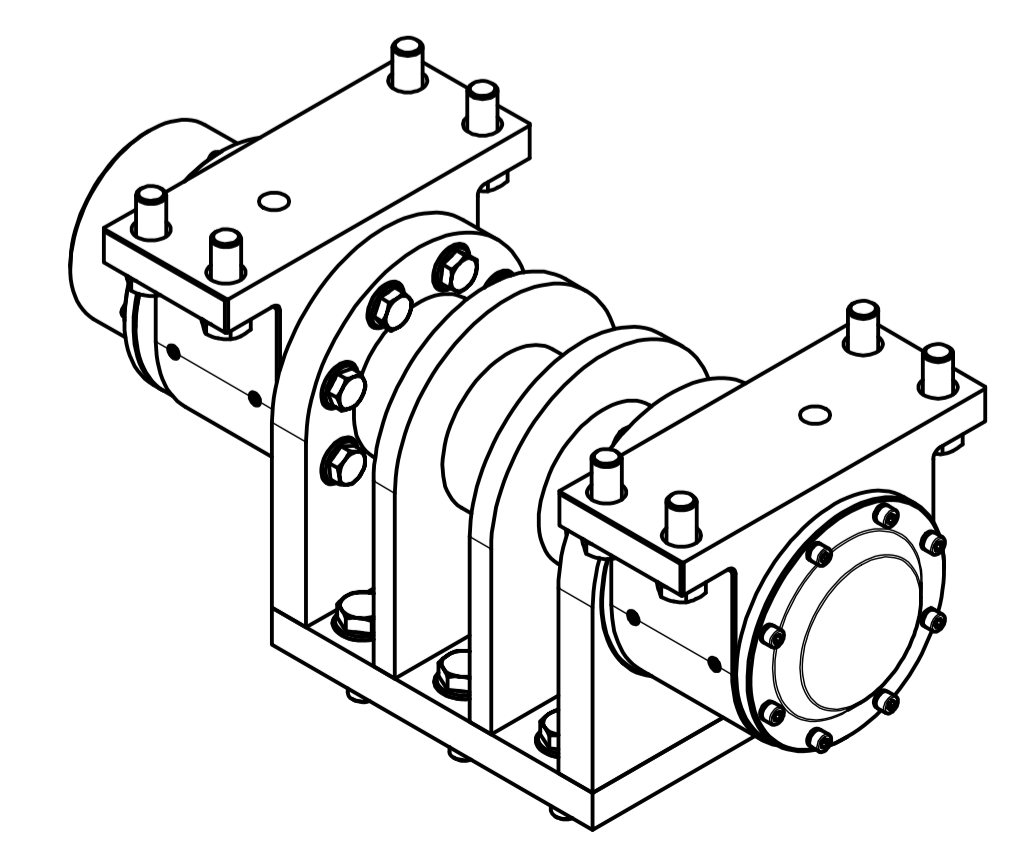
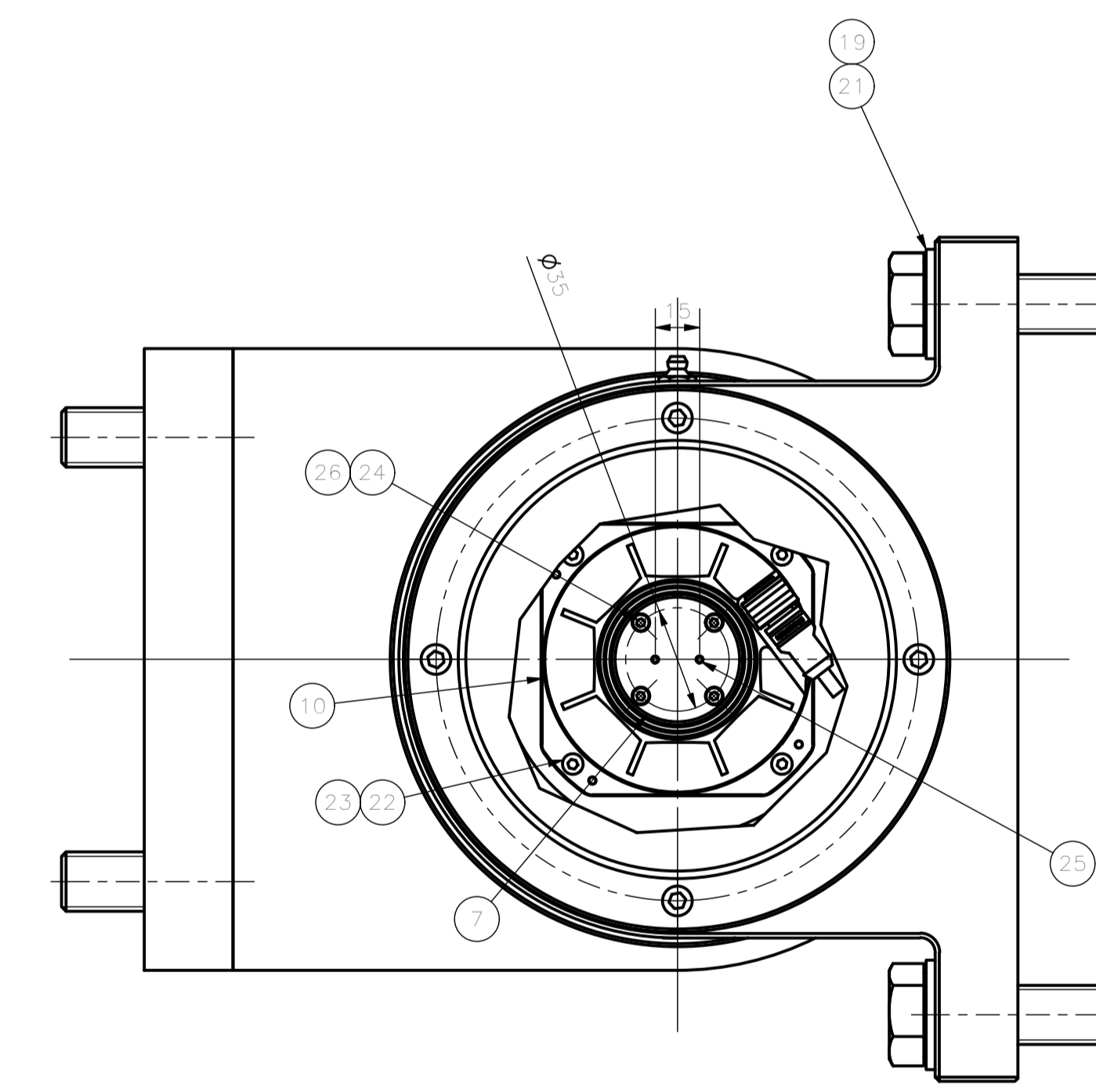
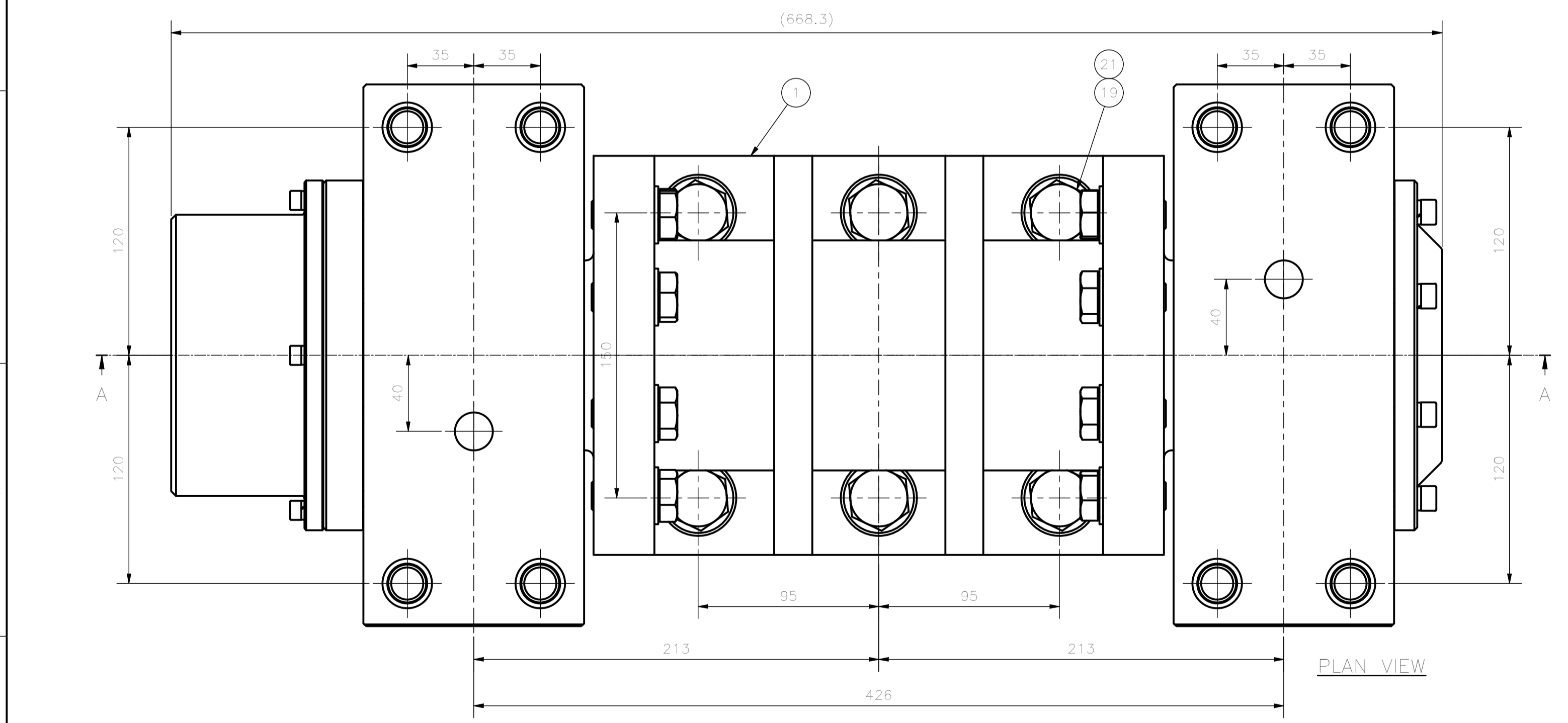


INTERNAL SIDE EXTERNAL SIDE



NOTES:  
1)- REFERENCE SEE : ASTRI-DWG-GEC-7113-200-00-00.

Item	Code	Description	Q.ty	Material	Mass
30	ISO 7089 - 16	Plain washers	14	HV 200 Galv.	0,012 kg
29	ISO 4017 - M16 x 35	Hexagon head screws	14	Cl. 8.8 Galv.	0,092 kg
28	ISO 4762 - M6 x 20	Hexagon Socket Head Cap Screw	4	Cl. 8.8 Galv.	0,007 kg
27	DIN 7980 - 6	Spring Washer	4	C70 Galv	0,001 kg
26	DIN 7980 - 3	Spring Washer	4	C70 Galv	0,000 kg
25	ISO 8752 - 2,5 x 10	Spring-Type Straight Pin	2	C70 Galv	0,000 kg
24	ISO 4762 - M3 x 10	Hexagon Socket Head Cap Screw	4	Cl. 8.8 Galv.	0,001 kg
23	DIN 7980 - 4	Spring Washer	4	C70 Galv	0,000 kg
22	ISO 4762 - M4 x 20	Hexagon Socket Head Cap Screw	4	Cl. 8.8 Galv.	0,003 kg
21	ISO 7089 - 20	Plain washers	14	HV 200 Galv.	0,017 kg
20	ISO 4762 - M8 x 30	Hexagon Socket Head Cap Screw	16	Cl. 8.8 Galv.	0,019 kg
19	ISO 4017 - M20 x 60	Hexagon head screws	14	Cl. 8.8 Galv.	0,220 kg
18	DIN 7980 - 8	Spring Washer	16	C70 Galv	0,001 kg
17	DIN 71412 - AM10 x 1 coned short	Lubricating Nipple, coned Type A	2	Cl. 5.6 Galv.	0,008 kg
16	Parker Countersunk Hex-Head Plug 219P 219P-2	Countersunk Hex-Head Plug	4	Brass	0,010 lb
15	DIN 3760 - A - 60 x 75 x 8 - NBR	Shaft Seal Ring	1	Gamma	0,006 kg
14	DIN 3760 - AS - 100 x 120 x 12 - NBR	Shaft Seal Ring	2	NBR	0,024 kg
13	AS 2842 - 253	Fluid power - O-Rings and housings	2	NBR	0,004 kg
12	KMT 15	Lock nut - SKF	2		0,800 kg
11	32216T78 J2_QDBC110	Bearing - SKF	2		4,450 kg
10	RCN 2580	Encoder Heidenhain	1		0,278 kg
9	7113-210-07-00	EL encoder cover	1	Construction steel S355J2G3 EN10027	2,913 kg
8	7113-210-06-00	EL bearing encoder flange	1	Construction steel S355J2G3 EN10027	3,758 kg
7	7113-210-05-00	EL encoder centring	1	Construction steel S355J2G3 EN10027	0,115 kg
6	7113-322-04-00	ELA hinge cover	1	Construction steel S355J2G3 EN10027	2,200 kg
5	7113-322-03-00	ELA hinge support mirror	1	Steel 2C40 UNI EN ISO 683	20,742 kg
4	7113-322-02-00	ELA hinge support	1	Steel 2C40 UNI EN ISO 683	20,742 kg
3	7113-210-03-00	EL axis shaft	1	Steel 2C40 UNI EN ISO 683	9,950 kg
2	7113-210-02-00	EL axis encoder shaft	1	Steel 2C40 UNI EN ISO 683	10,301 kg
1	7113-210-01-00	EL axis shaft support	1	Construction steel S355J2G3 EN10027	54,542 kg

		<b>EIE GROUP</b> via Torino 151A - Mestre Venezia - 30172 - ITALY tel. +39 041 5317906 - www.eie.it			
<b>ASTRI mini-array - CTA Small Size Telescope prototypes</b>		Material: Surface: Tolerances according to: ISO 2768/1-m ISO 2768/2-k		Roughness: Compressa/Job no.: <b>G0113</b>	
Status:		Mass: 141.28 kg		Scale: 1:5	
Date: 03/04/2018		Name: NAN		Naming: Mount Assembly	
Checked: 16/04/2018		ABU		EL axis bearing	
Approved: 17/04/2018		GPM		EL axis L bearing	
Drawing size: A1		Drawing N.: 7113-210-00-00		Sheet: 1/1	
ALL RIGHTS BELONG TO EIE GROUP S.p.A. NO COPIES, REPRODUCTION OR DISSEMINATION ARE PERMITTED.					
Filename: EL axis L bearing iam					