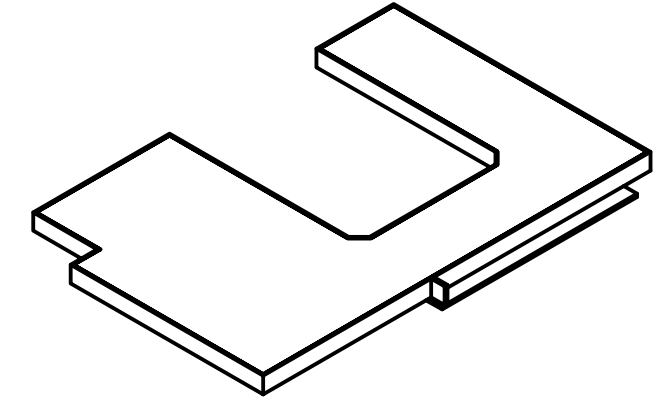
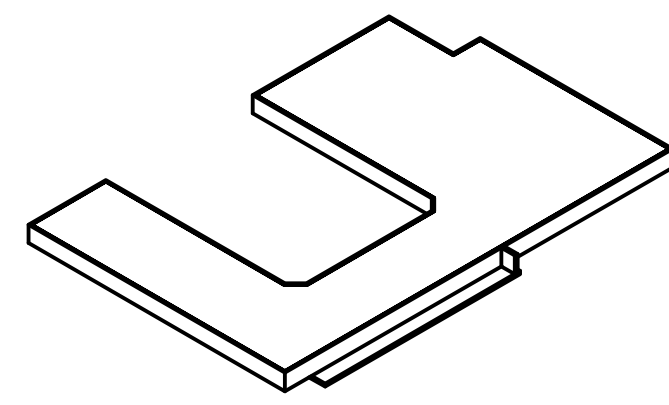


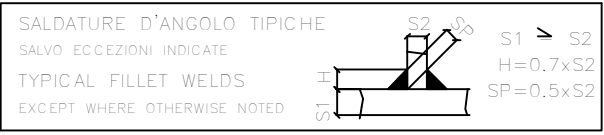
ISOMETRIC VIEW  
 1 : 10  
 AZ Fork Plane grating  
 Code number:  
 7113-110-14-00  
 Execute opposite hand



ISOMETRIC VIEW  
 1 : 10  
 AZ Fork Plane grating  
 Code number:  
 7113-110-13-00  
 Execute as shown



NOTE: Grating type Grid 25x76 – Plate 30x3



		<b>EIE GROUP</b> via Torino 151A - Mestre Venezia - 30172 - ITALY tel. +39 041 5317906 - www.eie.it				<b>ASTRI mini-array - CTA Small Size Telescope prototypes</b>	
Material: Construction steel S235J0 EN10027		Surface:		Tolerances according to: ISO 2768/1-m ISO 2768/2-k		Roughness:	
Status:		Mass: 14.00 kg		Scale: 1:5		Compressa/Job no.: <b>G0113</b>	
Designed 10/12/2018 Checked 10/12/2018 Approved 10/12/2018		Date: 04.03.21		Name: ACA ABU GPM		Naming: Az Fork Az Fork Structure Cabinets Support AZ fork plane grating	
Drawing size: A3		Drawing N. <b>7113-110-13-00</b>		Sheet: <b>1 / 1</b>			
ALL RIGHTS BELONG TO EIE GROUP Srl NO COPIES, REPRODUCTION OR DISSEMINATION ARE PERMITTED.						Filename: AZ fork plane grating.ipt	