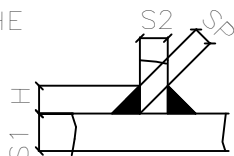


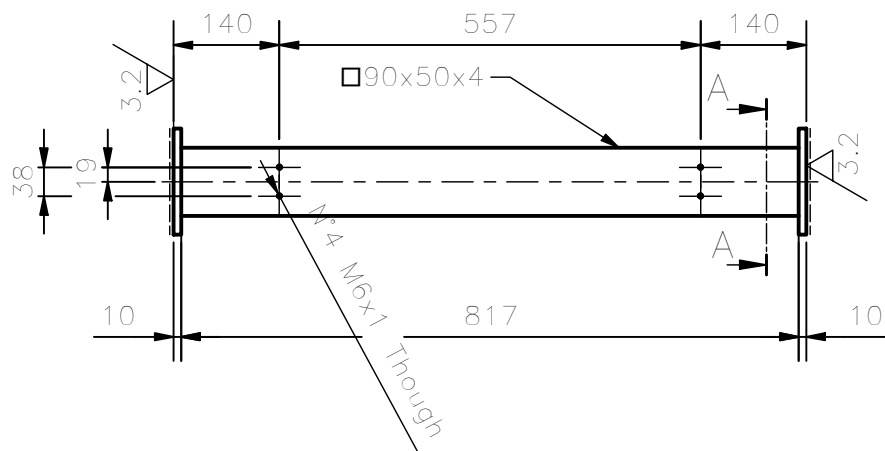
SALDATURE D'ANGOLO TIPICHE
 SALVO ECCEZIONI INDICATE
 TYPICAL FILLET WELDS
 EXCEPT WHERE OTHERWISE NOTED



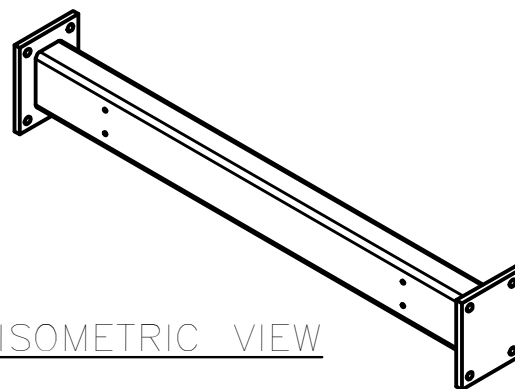
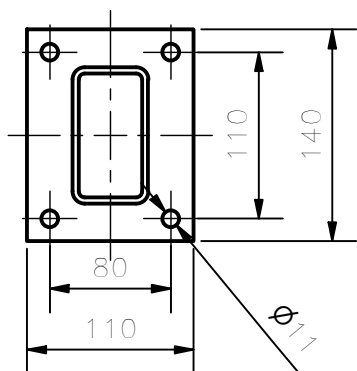
$$S1 \geq S2$$

$$H = 0.7 \times S2$$

$$SP = 0.5 \times S2$$



SECTION A-A
 1 : 5



ISOMETRIC VIEW

NOTE:

----- MACHINING ALLOWANCE SURFACE.
 PROVIDE ALL THE CLOSED VOLUMES WITH VENT HOLES FOR HEAT TREATMENT.
 DEBURRING OF NOT DIMENSIONED EDGES ARE STRICTLY REQUIRED.
 EXECUTE STRESS RELIEF HEAT TREATMENT BEFORE MACHINING.
 THE SURFACES NOT MACHINED MUST BE COATED WITH PAINTING TYPE RAL 3016.




EIE GROUP

EIE GROUP

via Torino 151A - Mestre
 Venezia - 30172 - ITALY
 tel. +39 041 5317906 - www.eie.it



ASTRI mini-array - CTA Small Size Telescope prototypes

Material:		Surface:		Tolerances according to: ISO 2768/1-m ISO 2768/2-k		Roughness:		Commissa/Job no.:		 <small>VIEWS AND SECTIONS ARE TO BE WORKED WITH REFERENCE TO EUROPEAN DWG SYSTEM</small>	
								G0113			
Status:		Mass: 8,86 kg		Scale: 1:10		Naming: Optical Support Structure AZ Fork AZ Fork Structure Cabinets Support Central Pipe					
		Date:		Name:							
		Designed 08/01/2018		ACA							
		Checked 27/01/2018		ABU							
		Approved 27/01/2018		GPM							
		Date:		Name:		Drawing N.				Sheet:	
						7113-110-03-00				1 / 1	
A		First issue		ACA		04.03.21					
Rev		Modification		Name		Date					

ALL RIGHTS BELONG TO EIE GROUP Srl
 NO COPIES, REPRODUCTION OR DISSEMINATION ARE PERMITTED.

Filename: Cabinets Support Central Structure.iam