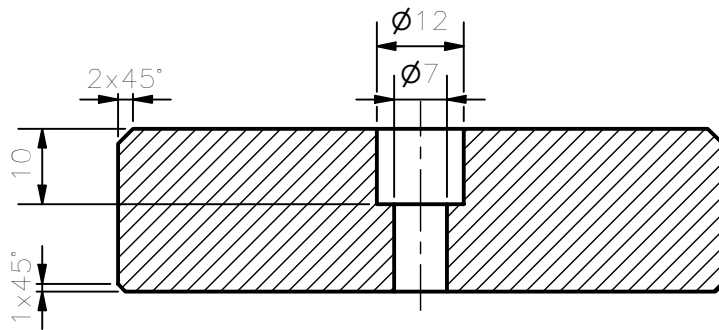
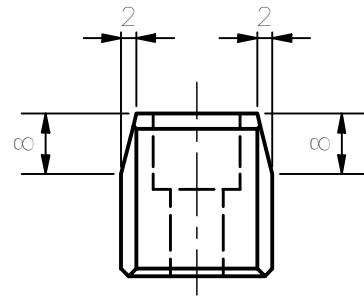
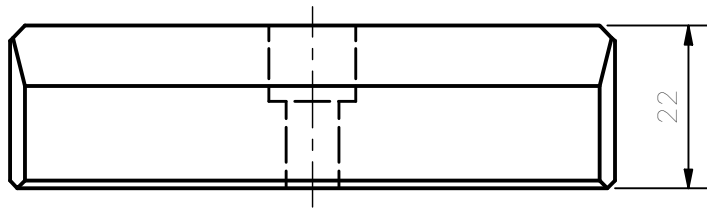


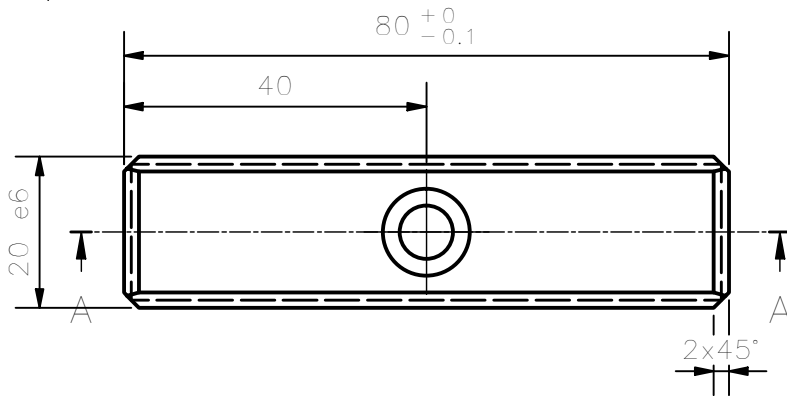
1

2

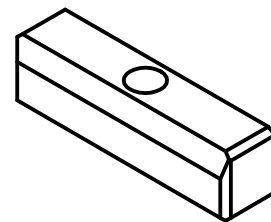
3



SECTION A-A
1 : 1



ISOMETRIC VIEW



NOTE:
DEBURRING OF NOT DIMENSIONED EDGES ARE STRICTLY REQUIRED.

3.2



EIE GROUP

EIE GROUP

via Torino 151A - Mestre
Venezia - 30172 - ITALY
tel. +39 041 5317906 - www.eie.it



ASTRI mini-array - CTA Small Size Telescope prototypes

Material: Construction steel S355J0 EN10027		Surface:		Tolerances according to: ISO 2768/1-m ISO 2768/2-k		Roughness:		Commissa/Job no.: G0113		<p>VIEWS AND SECTIONS ARE TO BE WORKED WITH REFERENCE TO EUROPEAN DWG SYSTEM</p>																					
Status:		Mass: 0,25 kg		Scale: 1:1		Naming: Mount assembly AZ fork AZ fork Structure AZ fork special key		Drawing N.		Sheet: 1 / 1																					
<table border="1"> <tr> <td>A</td> <td>First issue</td> <td>ACA</td> <td>04.03.21</td> </tr> <tr> <td>Rev</td> <td>Modification</td> <td>Name</td> <td>Date</td> </tr> </table>		A	First issue	ACA	04.03.21	Rev	Modification	Name	Date	<table border="1"> <tr> <td></td> <td>Date:</td> <td>Name:</td> </tr> <tr> <td>Designed</td> <td>24/12/2017</td> <td>ACA</td> </tr> <tr> <td>Checked</td> <td>21/02/2018</td> <td>ABU</td> </tr> <tr> <td>Approved</td> <td>21/02/2018</td> <td>GPM</td> </tr> </table>			Date:	Name:	Designed	24/12/2017	ACA	Checked	21/02/2018	ABU	Approved	21/02/2018	GPM	Drawing size: A4		7113-100-07-00					
A	First issue	ACA	04.03.21																												
Rev	Modification	Name	Date																												
	Date:	Name:																													
Designed	24/12/2017	ACA																													
Checked	21/02/2018	ABU																													
Approved	21/02/2018	GPM																													

ALL RIGHTS BELONG TO EIE GROUP Srl
NO COPIES, REPRODUCTION OR DISSEMINATION ARE PERMITTED.

Filename: AZ fork special key.ipt

1

2

3