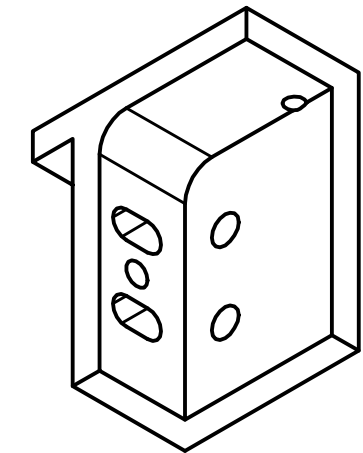


ISOMETRIC VIEW



NOTE:

UNCOATED SURFACES MACHINED MUST BE PROTECTED WITH OIL.

3.2

		EIE GROUP via Torino 151A - Mestre Venezia - 30172 - ITALY tel. +39 041 5317906 - www.eie.it				ASTRI mini-array - CTA Small Size Telescope prototypes	
Material: Construction steel S355J0 EN10027		Surface:		Tolerances according to: ISO 2768/1-m ISO 2768/2-k		Roughness:	
Status:		Mass: 0,10 kg		Scale: 1:1		Commissa/Job no.: G0113	
		Date: Designed 13/01/2014 Checked 20/02/2014 Approved 20/02/2014		Name: SG AB GPM		Naming: Mount Assembly Base structure Base AZ encoder head plate	
		Drawing size: A3		Drawing N. 7111-210-03-00		Sheet: 1 / 1	
ALL RIGHTS BELONG TO EIE GROUP Srl NO COPIES, REPRODUCTION OR DISSEMINATION ARE PERMITTED.						Filename: AZ encoder head plate.ipt	