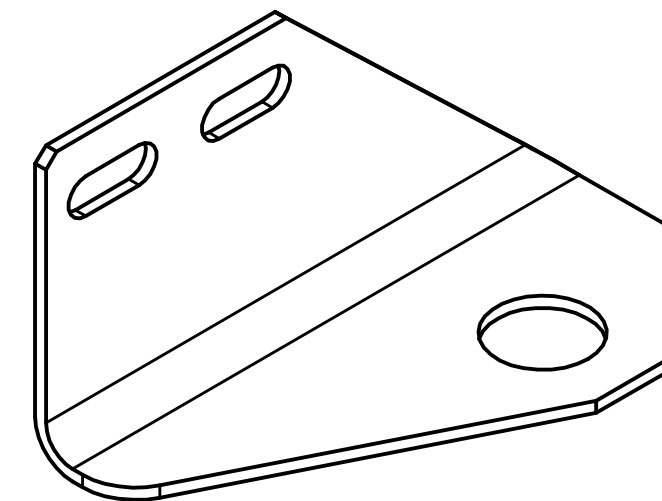



ISOMETRIC VIEW



 EIE GROUP via Torino 151A - Mestre Venezia - 30172 - ITALY tel. +39 041 5317906 - www.eie.it		 ASTRI ASTRI mini-array - CTA Small Size Telescope prototypes											
Material: Construction steel S355J0 EN10027	Surface: Painted	Tolerances according to: ISO 2768/1-m ISO 2768/2-k	Roughness:	Commissa/Job no.: G0113									
Status:	Mass: 0,09 kg	Scale: 1:1	Naming: Base structure Base Base door Door locking bracket										
<table border="1"> <tr> <td>Designed</td> <td>10/01/2014</td> <td>SG</td> </tr> <tr> <td>Checked</td> <td>20/01/2014</td> <td>AB</td> </tr> <tr> <td>Approved</td> <td>21/01/2014</td> <td>GPM</td> </tr> </table>		Designed	10/01/2014	SG	Checked	20/01/2014	AB	Approved	21/01/2014	GPM	Date:	Name:	Drawing N.
Designed	10/01/2014	SG											
Checked	20/01/2014	AB											
Approved	21/01/2014	GPM											
<table border="1"> <tr> <td>A</td> <td>First issue</td> <td>ACA</td> <td>04.03.21</td> </tr> <tr> <td>Rev</td> <td>Modification</td> <td>Name</td> <td>Date</td> </tr> </table>		A	First issue	ACA	04.03.21	Rev	Modification	Name	Date	Drawing size:	A3	Sheet: 1 / 1	
A	First issue	ACA	04.03.21										
Rev	Modification	Name	Date										
ALL RIGHTS BELONG TO EIE GROUP Srl NO COPIES, REPRODUCTION OR DISSEMINATION ARE PERMITTED.				Filename: Trap door locking bracket.ipt									