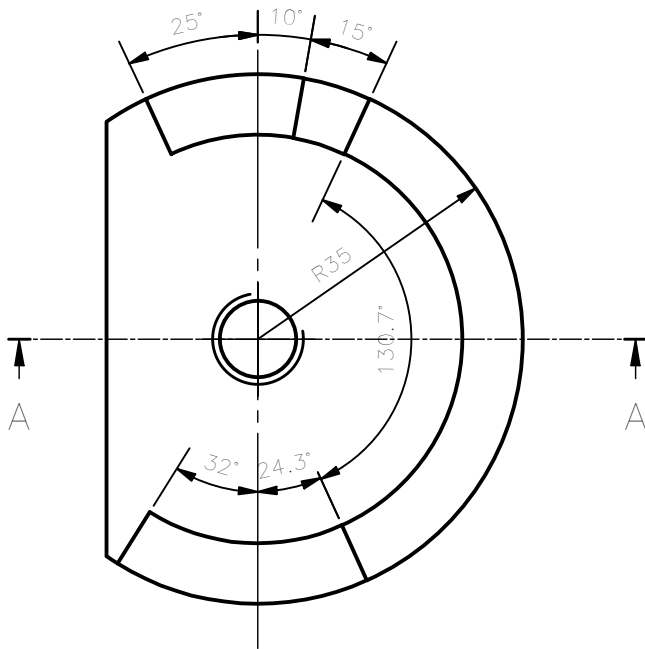
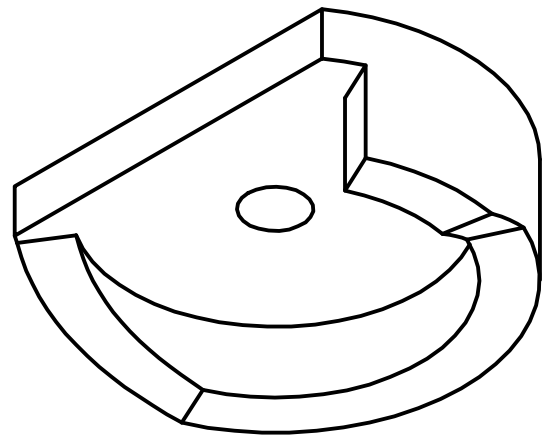


SECTION A-A
1 : 1

ISOMETRIC VIEW



Chamfers non dimensioned are 0.5x45°



EIE GROUP

via Torino 151A - Mestre
Venezia - 30172 - ITALY
tel. +39 041 5317906 - www.eie.it



ASTRI mini-array - CTA Small Size Telescope prototypes

Material: Construction steel S355J0 EN10027		Surface: Galvanized		Tolerances according to: ISO 2768/1-m ISO 2768/2-k		Roughness:		Commissa/Job no.: G0113		<p>IEWS AND SECTIONS ARE TO BE WORKED WITH REFERENCE TO EUROPEAN DWG SYSTEM</p>			
Status:		Mass: 0,29 kg		Scale: 1:1		Naming: Mount Assembly Base structure Base Switch cam							
		Date:		Name:									
		Designed		08/01/2014		SG							
		Checked		22/01/2014		AB							
		Approved		22/01/2014		GPM							
A		First issue		ACA		04.03.21		Drawing N. 7111-100-08-00				Sheet: 1 / 1	
Rev		Modification		Name		Date		Drawing size: A4					

ALL RIGHTS BELONG TO EIE GROUP Srl
NO COPIES, REPRODUCTION OR DISSEMINATION ARE PERMITTED.

Filename: Safety switch cam.ipt