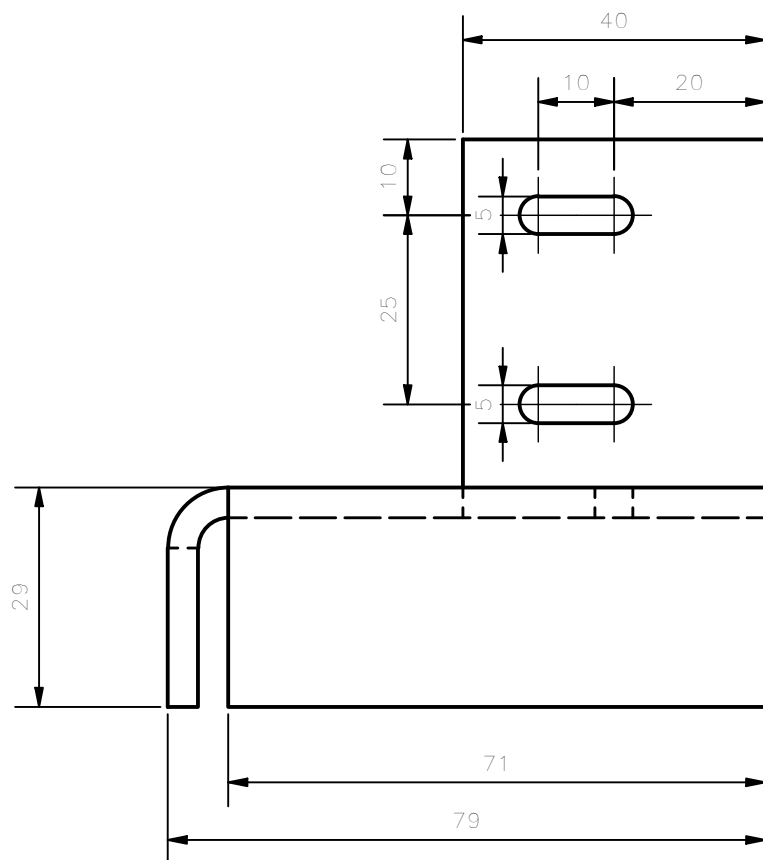
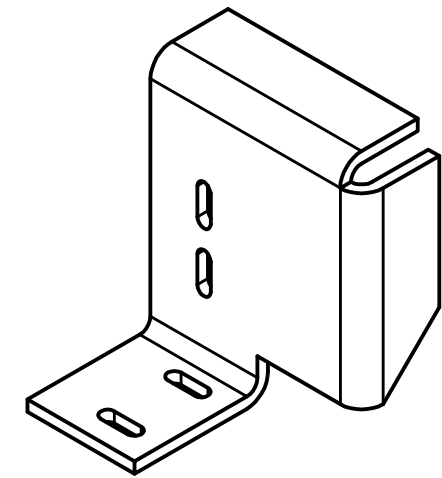


ISOMETRIC VIEW



 EIE GROUP via Torino 151A - Mestre Venezia - 30172 - ITALY tel. +39 041 5317906 - www.eie.it		 ASTRI ASTRI mini-array - CTA Small Size Telescope prototypes		 VIEWS AND SECTIONS ARE TO BE WORKED WITH REFERENCE TO EUROPEAN DWG SYSTEM									
Material: Construction steel S355J0 EN10027	Surface: Painted	Tolerances according to: ISO 2768/1-m ISO 2768/2-k	Roughness:	Commissa/Job no.: G0113									
Status:	Mass: 0,35 kg	Scale: 1:1	Naming: Mount Assembly Base structure Base Support for door switch										
<table border="1"> <thead> <tr> <th>Rev</th> <th>Modification</th> <th>Name</th> <th>Date</th> </tr> </thead> <tbody> <tr> <td>A</td> <td>First issue</td> <td>ACA</td> <td>04.03.21</td> </tr> </tbody> </table>		Rev	Modification	Name	Date	A	First issue	ACA	04.03.21	Date: 09/01/2014	Name: SG	Drawing N. 7111-100-07-00	
Rev	Modification	Name	Date										
A	First issue	ACA	04.03.21										
		Checked 20/01/2014	AB	Sheet: 1 / 1									
		Approved 22/01/2014	GPM	Drawing size: A3									
ALL RIGHTS BELONG TO EIE GROUP Srl NO COPIES, REPRODUCTION OR DISSEMINATION ARE PERMITTED.				Filename: Support for door switch.ipt									