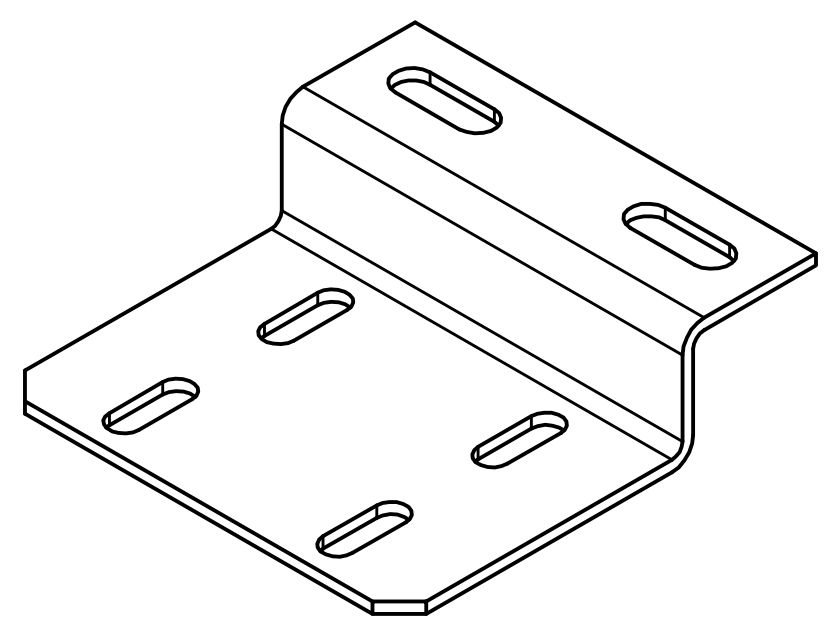


ISOMETRIC VIEW



NOTE:
* VERIFY WITH SPRING LOCK INTERFACE

 EIE GROUP via Torino 151A - Mestre Venezia - 30172 - ITALY tel. +39 041 5317906 - www.eie.it		  ASTRI mini-array - CTA Small Size Telescope prototypes											
Material: Construction steel S355J0 EN10027	Surface: Painted	Tolerances according to: ISO 2768/1-m ISO 2768/2-k	Roughness:	Commissa/Job no.: G0113	 <small>VIEWS AND SECTIONS ARE TO BE WORKED WITH REFERENCE TO EUROPEAN DWG SYSTEM</small>								
Status:	Mass: 0,10 kg	Scale: 1:1	Naming: Mount Assembly Base structure Base Spring lock support										
<table border="1"> <thead> <tr> <th>Rev</th> <th>Modification</th> <th>Name</th> <th>Date</th> </tr> </thead> <tbody> <tr> <td>A</td> <td>First issue</td> <td>ACA</td> <td>04.03.21</td> </tr> </tbody> </table>		Rev	Modification	Name	Date	A	First issue	ACA	04.03.21	Date:	Name:	Drawing N.	Sheet:
Rev	Modification	Name	Date										
A	First issue	ACA	04.03.21										
		Designed	10/01/2014	SG	7111-100-06-00 1 / 1								
		Checked	20/01/2014	AB									
		Approved	22/01/2014	GPM	Drawing size: A3 Filename: Spring lock support.ipt								
ALL RIGHTS BELONG TO EIE GROUP Srl NO COPIES, REPRODUCTION OR DISSEMINATION ARE PERMITTED.													