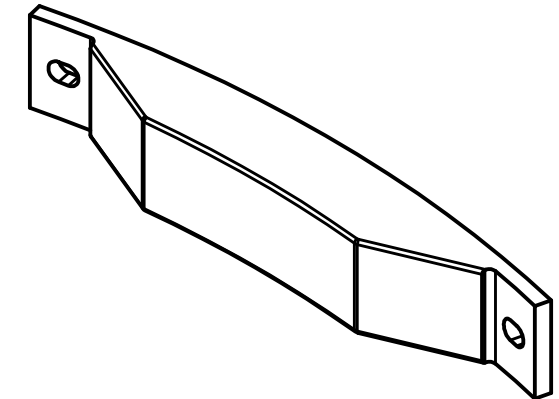


SECTION A-A
1 : 1

ISOMETRIC VIEW



 EIE GROUP via Torino 151A - Mestre Venezia - 30172 - ITALY tel. +39 041 5317906 - www.eie.it		  ASTRI mini-array - CTA Small Size Telescope prototypes															
Material: Construction steel S355J0 EN10027	Surface: Painted	Tolerances according to: ISO 2768/1-m ISO 2768/2-k	Roughness:	Commissa/Job no.: G0113	 <small>VIEWS AND SECTIONS ARE TO BE WORKED WITH REFERENCE TO EUROPEAN DWG SYSTEM</small>												
Status:	Mass: 0,82 kg	Scale: 1:1	Naming: Mount Assembly Base structure Base AZ switch Witness														
<table border="1"> <tr> <td>Designed</td> <td>03/01/2014</td> <td>Name:</td> <td>SG</td> </tr> <tr> <td>Checked</td> <td>21/01/2014</td> <td>Name:</td> <td>AB</td> </tr> <tr> <td>Approved</td> <td>21/01/2014</td> <td>Name:</td> <td>GPM</td> </tr> </table>		Designed	03/01/2014	Name:	SG	Checked	21/01/2014	Name:	AB	Approved	21/01/2014	Name:	GPM	Date:	Name:	Drawing N.	Sheet:
Designed	03/01/2014	Name:	SG														
Checked	21/01/2014	Name:	AB														
Approved	21/01/2014	Name:	GPM														
<table border="1"> <tr> <td>A</td> <td>First issue</td> <td>ACA</td> <td>04.03.21</td> </tr> <tr> <td>Rev</td> <td>Modification</td> <td>Name</td> <td>Date</td> </tr> </table>		A	First issue	ACA	04.03.21	Rev	Modification	Name	Date	Drawing size:	A3	7111-100-05-00	1 / 1				
A	First issue	ACA	04.03.21														
Rev	Modification	Name	Date														
ALL RIGHTS BELONG TO EIE GROUP Srl NO COPIES, REPRODUCTION OR DISSEMINATION ARE PERMITTED.				Filename:	AZ Limit Switch Witness.ipt												