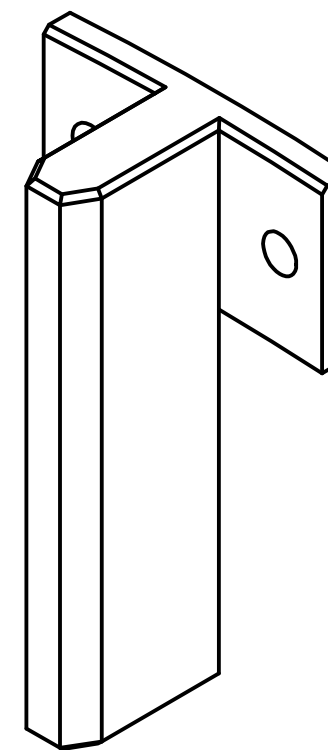
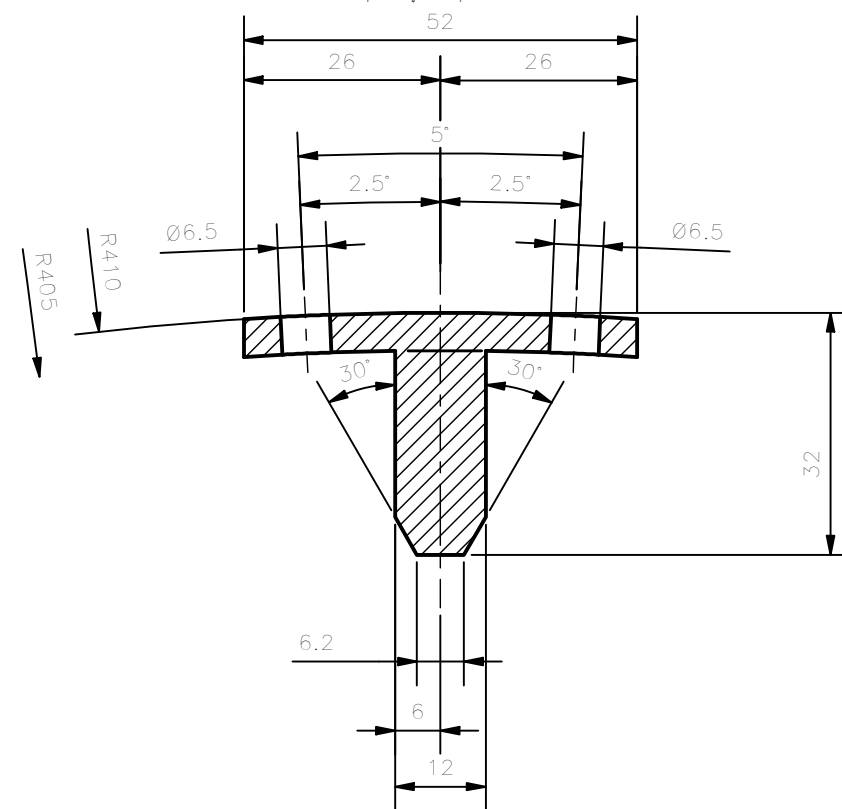


ISOMETRIC VIEW



SECTION A-A

1 : 1



3.2

		EIE GROUP via Torino 151A - Mestre Venezia - 30172 - ITALY tel. +39 041 5317906 - www.eie.it				ASTRI mini-array - CTA Small Size Telescope prototypes									
Material: Construction steel S355J0 EN10027		Surface: Painted		Tolerances according to: ISO 2768/1-m ISO 2768/2-k		Roughness: Comessa/Job no.: G0113									
Status:		Mass: 0,28 kg		Scale: 1:1		Naming: Mount Assembly Base structure Base Lyra Witness									
<table border="1"> <thead> <tr> <th>Rev</th> <th>Modification</th> <th>Name</th> <th>Date</th> </tr> </thead> <tbody> <tr> <td>A</td> <td>First issue</td> <td>ACA</td> <td>04.03.21</td> </tr> </tbody> </table>		Rev	Modification	Name	Date	A	First issue	ACA	04.03.21	Date: Designed 03/01/2014 Checked 21/01/2014 Approved 21/01/2014		Name: SG AB GPM		Drawing N. 7111-100-04-00	
Rev	Modification	Name	Date												
A	First issue	ACA	04.03.21												
Drawing size: A3		Sheet: 1 / 1		ALL RIGHTS BELONG TO EIE GROUP Srl NO COPIES, REPRODUCTION OR DISSEMINATION ARE PERMITTED.											
Filename: AZ Limit switch lyra witness.ipt															