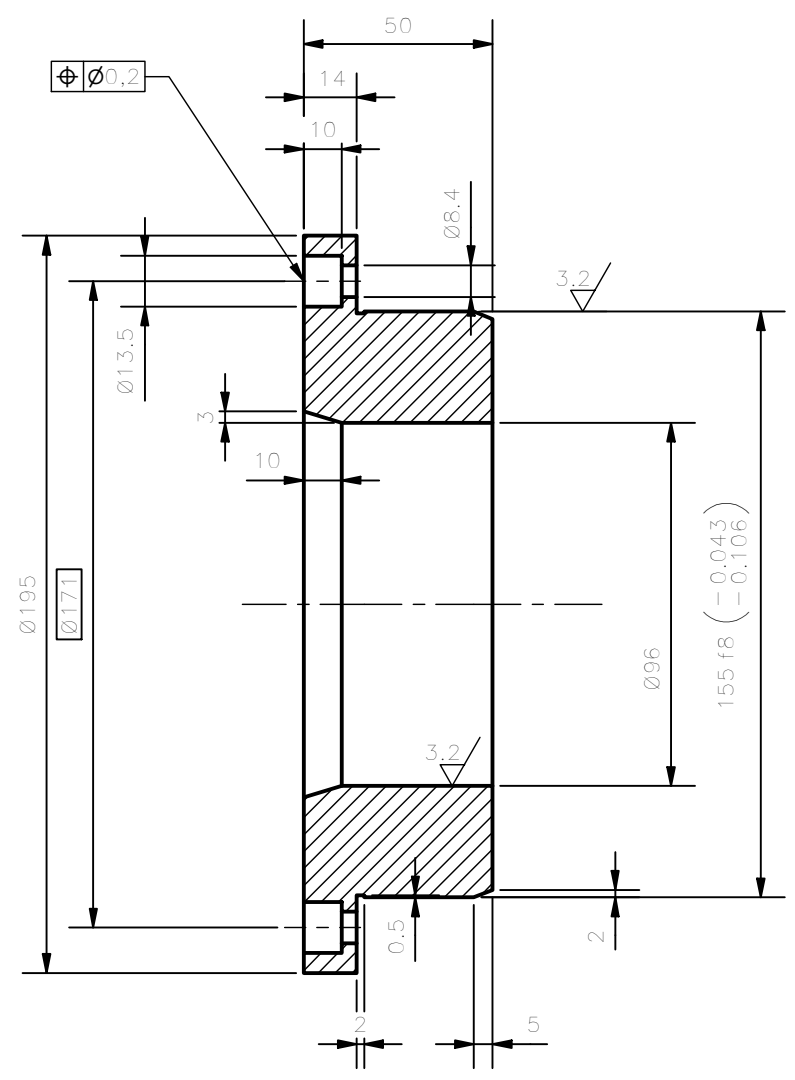
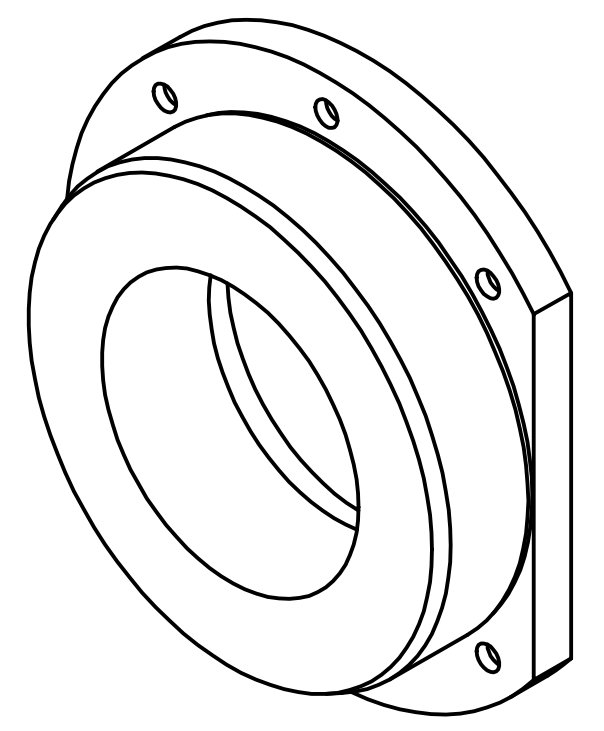


SECTION A-A  
1 : 2



ISOMETRIC VIEW



12.5 / ( 3.2 / )

 <b>EIE GROUP</b> via Torino 151A - Mestre Venezia - 30172 - ITALY tel. +39 041 5317906 - www.eie.it		 <b>ASTRI mini-array - CTA Small Size Telescope prototypes</b>											
Material: Construction steel S355J2G3 EN10027	Surface: Galvanized	Tolerances according to: ISO 2768/1-m ISO 2768/2-k	Roughness:	Commissa/Job no.:	 <small>VIEWS AND SECTIONS ARE TO BE WORKED WITH REFERENCE TO EUROPEAN DWG SYSTEM</small>								
Status:		Mass: 5.45 kg	Scale: 1:2	<b>G0113</b>									
<table border="1"> <tr> <td>Designed</td> <td>09/01/2014</td> <td>SG</td> </tr> <tr> <td>Checked</td> <td>21/01/2014</td> <td>AB</td> </tr> <tr> <td>Approved</td> <td>21/01/2014</td> <td>GPM</td> </tr> </table>		Designed	09/01/2014	SG	Checked	21/01/2014	AB	Approved	21/01/2014	GPM	Date: 30.11.18	Name: SG	Naming: Mount Assembly Base structure Base AZ Locking pin bush
Designed	09/01/2014	SG											
Checked	21/01/2014	AB											
Approved	21/01/2014	GPM											
<table border="1"> <tr> <td>A</td> <td>first issue</td> <td>AC</td> <td>30.11.18</td> </tr> <tr> <td>Rev</td> <td>Modification</td> <td>Name</td> <td>Date</td> </tr> </table>		A	first issue	AC	30.11.18	Rev	Modification	Name	Date	Drawing size: A3	Drawing N.:	Sheet: 1 / 1	
A	first issue	AC	30.11.18										
Rev	Modification	Name	Date										
ALL RIGHTS BELONG TO EIE GROUP Srl NO COPIES, REPRODUCTION OR DISSEMINATION ARE PERMITTED.				Filename: AZ Locking pin bush.ipt									