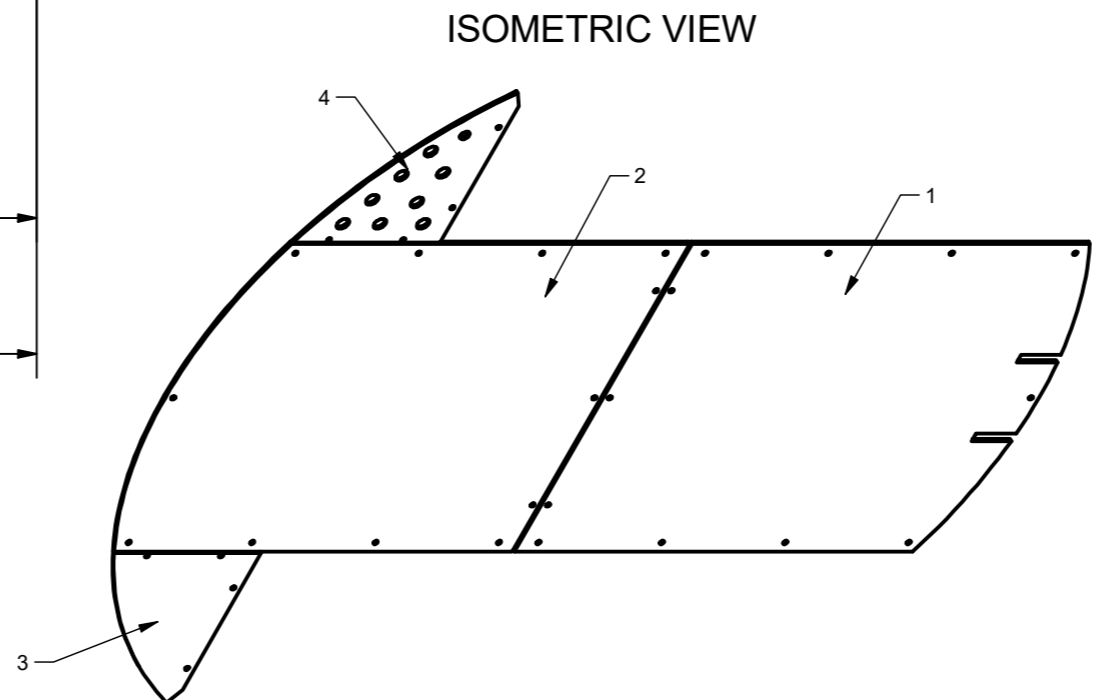
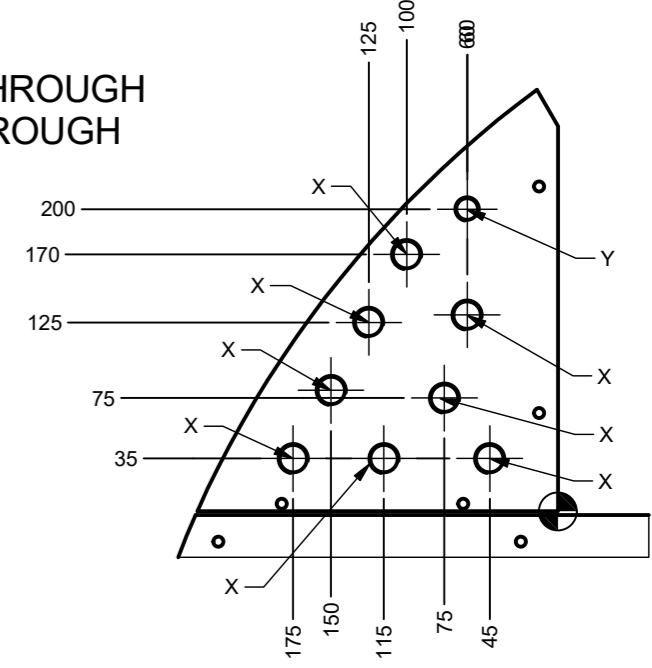






DETAIL-A
1:5

X HOLES = M20X1.5 THROUGH
Y HOLE = M16X1.5 THROUGH



 EIE GROUP via Torino 151A - Mestre Venezia - 30172 - ITALY tel. +39 041 5317906 - www.eie.it		  ASTRI mini-array - CTA Small Size Telescope prototypes		 <small>VIEW AND SECTIONS ARE TO BE WORKED WITH REFERENCE TO EUROPEAN DWG SYSTEM</small>								
Material: Construction steel S355J0 EN10027	Surface: Painted RAL 3016	Tolerances according to: ISO 2768/1-m ISO 2768/2-k	Roughness: Compressa/Job no.: G0113									
Status:		Mass: 27,16 kg	Scale: 1:5	Naming: Mount Assembly Base structure Base Removable panels								
		Date: 06/04/2018	Name: NAN									
		Designed 06/04/2018	Checked 16/04/2018									
		Approved 17/04/2018	GPM	Drawing N. 7111-100-02-00								
<table border="1"> <tr> <th>Rev</th> <th>Modification</th> <th>Name</th> <th>Date</th> </tr> <tr> <td>A</td> <td>First issue</td> <td>ACA</td> <td>04.03.21</td> </tr> </table>		Rev	Modification	Name	Date	A	First issue	ACA	04.03.21	Drawing size: A2	Sheet: 1 / 1	
Rev	Modification	Name	Date									
A	First issue	ACA	04.03.21									
ALL RIGHTS BELONG TO EIE GROUP Srl NO COPIES, REPRODUCTION OR DISSEMINATION ARE PERMITTED.				Filename: Removable panels.ipt								