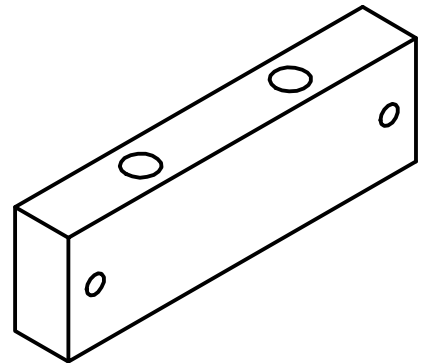


ISOMETRIC VIEW



12.5 / ( 3.2 / )

NOTE:  
 ----- MACHINING SURFACE.  
 NON MACHINED SURFACE MUST BE COATED WITH PAINTING TYPE RAL 3016.  
 UNCOATED SURFACE PROTECT WIYH OIL.



**EIE GROUP**

via Torino 151A - Mestre  
 Venezia - 30172 - ITALY  
 tel. +39 041 5317906 - www.eie.it



**ASTRI mini-array - CTA Small Size Telescope prototypes**

Material: Construction steel S355J0 EN10027		Surface: Painted		Tolerances according to: ISO 2768/1-m ISO 2768/2-k		Roughness:		Commissa/Job no.: <b>G0113</b>		 VIEWS AND SECTIONS ARE TO BE WORKED WITH REFERENCE TO EUROPEAN DWG SYSTEM											
Status:		Mass: 0,09 kg		Scale: 1:1		Naming: Electro Mechanics Mount Assembly Base structure Alignment block encoder															
<table border="1"> <tr> <td>Designed</td> <td>14/01/2014</td> <td colspan="2">Name: SG</td> </tr> <tr> <td>Checked</td> <td>24/02/2014</td> <td colspan="2">AB</td> </tr> <tr> <td>Approved</td> <td>24/02/2014</td> <td colspan="2">GPM</td> </tr> </table>		Designed	14/01/2014	Name: SG		Checked	24/02/2014	AB		Approved	24/02/2014	GPM		Date:		Name:		Drawing N.		Sheet:	
Designed	14/01/2014	Name: SG																			
Checked	24/02/2014	AB																			
Approved	24/02/2014	GPM																			
A		First issue		ACA		04.03.21		7111-000-01-00		1 / 1											
Rev		Modification		Name		Date		7111-000-01-00		1 / 1											

ALL RIGHTS BELONG TO EIE GROUP Srl  
 NO COPIES, REPRODUCTION OR DISSEMINATION ARE PERMITTED.

Filename: AZ encoder adjuster block.ipt