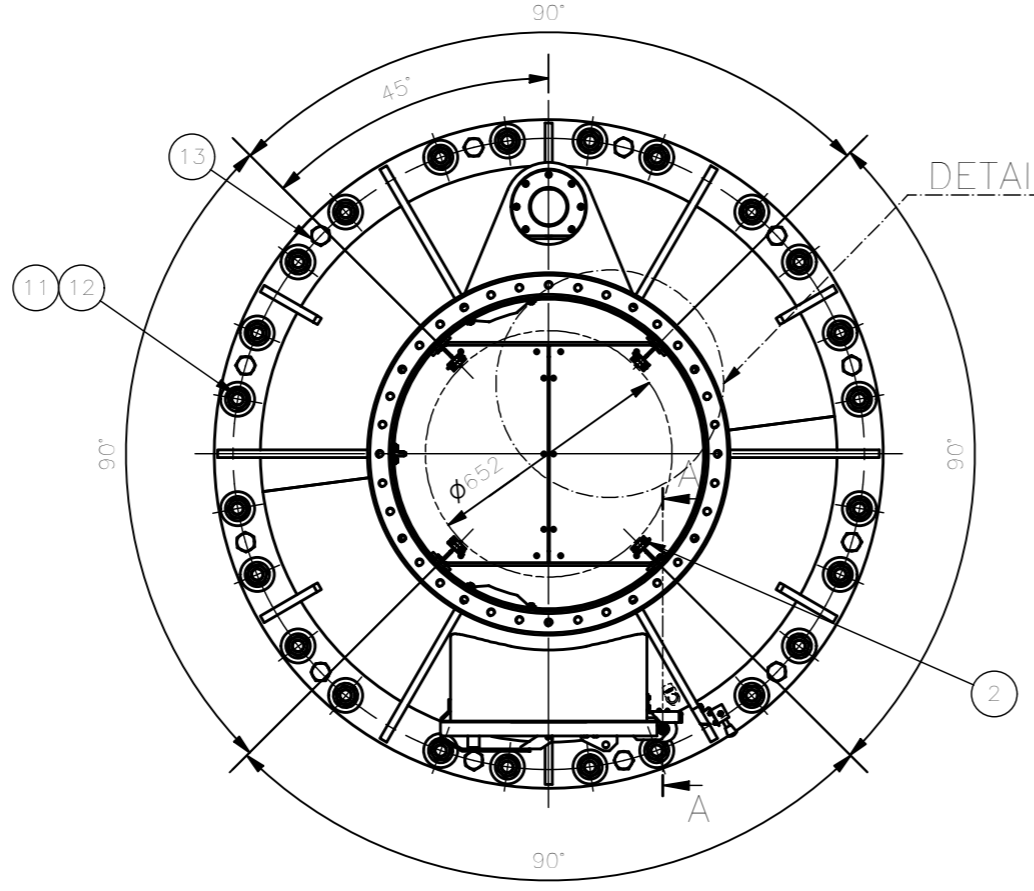
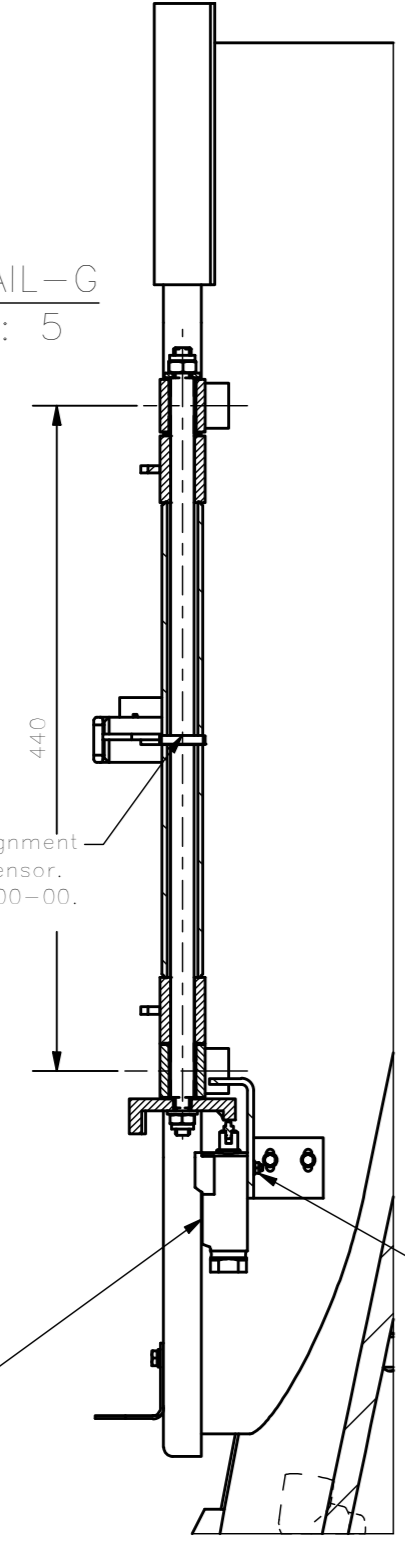


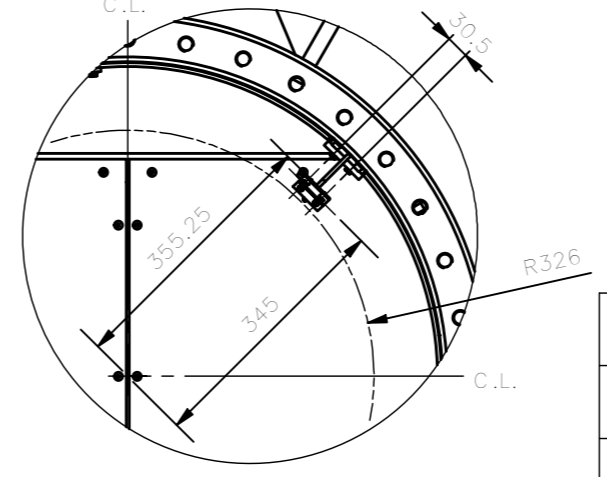
DETAIL-G

DETAIL-G
1:5



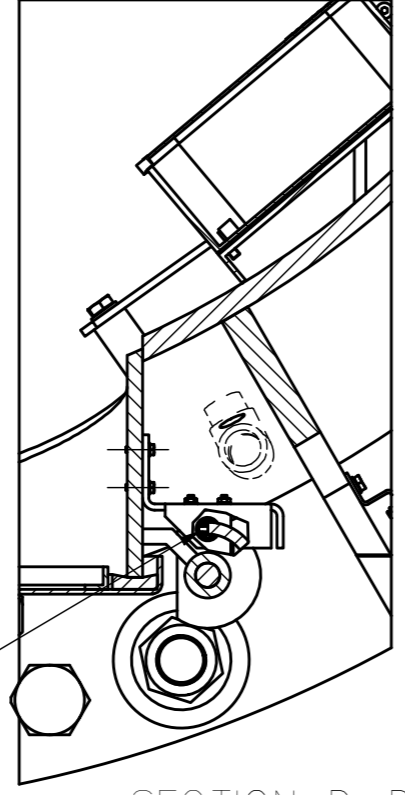
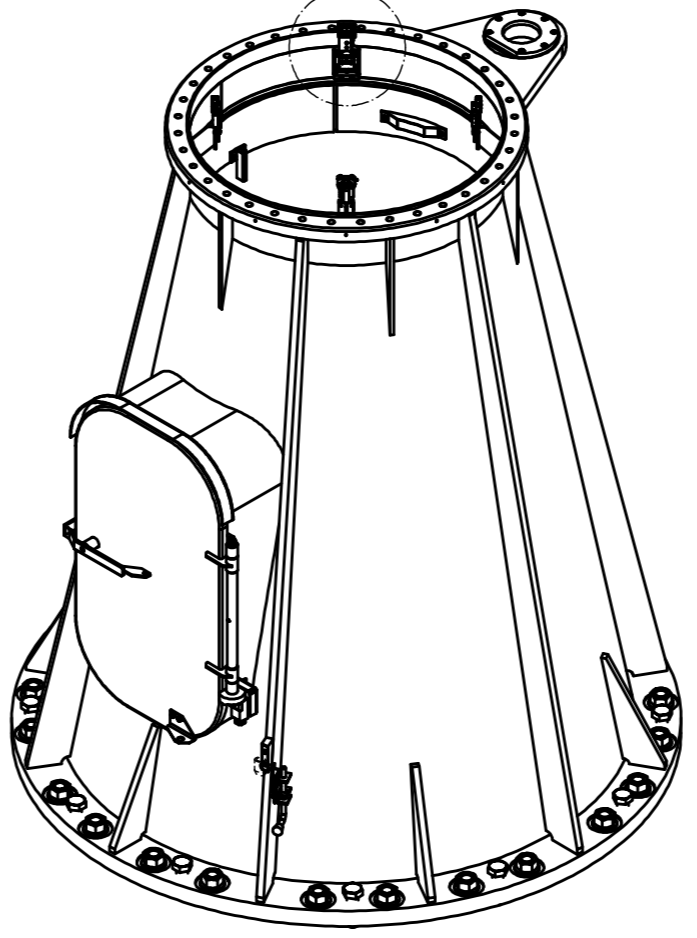
DETAIL-F

DETAIL-F
1:10



ISOMETRIC VIEW

DETAIL-H



DETAIL-H
1:5

SECTION D-D
1:5

13	ISO 4017 - M30 x 100	Hexagon head screws	12	Cl. 8.8 - Electro Galvanized	0,809 kg
12	ISO 4032 - M33	Hexagon nut	24	Cl. 8 - Electro Galvanized	0,324 kg
11	ISO 7089 - 34	Plain washer	24	300 HV - Electro Galvanized	0,095 kg
10	ISO 4032 - M4	Hexagon nuts	2	Cl. 8 - Electro Galvanized	0,001 kg
9	ISO 7089 - 4	Plain washers - Normal series	2	300 HV - Electro Galvanized	0,000 kg
8	ISO 4762 - M4 x 35	Hexagon Socket Head Cap Screw	2	Cl. 8.8 - Electro Galvanized	0,004 kg
7	ISO 4762 - M4 x 20	Hexagon Socket Head Cap Screw	8	Cl. 8.8 - Electro Galvanized	0,003 kg
6	ISO 4017 - M5 x 25	Hexagon head screws	8	Cl. 8.8 - Electro Galvanized	0,005 kg
5	XCS D3902P20	Safety switch with roller plunger Telemechanique	1		0,149 lb
3	7111-000-01-00	Alignment block encoder	4	Construction steel S355J0 EN10027	0,093 kg
2	7111-210-00-00	AZ encoder head group	4		0,774 kg
1	7111-100-00-00	Base	1		1773,292 kg
Item	Code	Description	Q.ty	Material	Unit Mass

		EIE GROUP via Torino 151A - Mestre Venezia - 30172 - ITALY tel. +39 041 5317906 - www.eie.it															
EIE GROUP		ASTRI mini-array - CTA Small Size Telescope prototypes															
Material:	Surface:	Tolerances according to: ISO 2768/1-m ISO 2768/2-k	Roughness:	Commissa/Job no.: G0113													
Status:	Mass: 1796.65 kg	Scale: 1:20	Naming: Electro Mechanics Mount Assembly Base structure														
<table border="1"> <thead> <tr> <th>Rev.</th> <th>Modification</th> <th>Name</th> <th>Date</th> </tr> </thead> <tbody> <tr> <td>A</td> <td>First issue</td> <td>NAN</td> <td>04.03.21</td> </tr> <tr> <td></td> <td></td> <td></td> <td></td> </tr> </tbody> </table>		Rev.	Modification	Name	Date	A	First issue	NAN	04.03.21					Date: 16/04/2018	Name: NAN	Drawing N. 7111-000-00-00	
Rev.	Modification	Name	Date														
A	First issue	NAN	04.03.21														
		Checked: 29/04/2018	ABU	Sheet: 1/1													
		Approved: 30/04/2018	GPM	Drawing size: A2													
		Drawing size: A2		Filename: Base structure.iam													
ALL RIGHTS BELONG TO EIE GROUP Srl NO COPIES, REPRODUCTION OR DISSEMINATION ARE PERMITTED.																	

Drill and pin after angular alignment cam with limit switch sensor. See also DWG: 3111-100-00-00.